



PARTS MANUAL

3521 86695 - XXXX XXXXX

00. MAINTENANCE / FILTERS SET



FIGURE	REFERENCE	DENOMINATION	AMOUNT
001	KF.35000RE00	FILTER KIT T 133 H/T 144 H	1
001.1	MN000028	ENGINE OIL FILTER	1
001.2	DN000002	FUEL FILTER CARTRIDGE (400h)	1
001.3	MN000017	PRE-FILTER, FUEL (200h+50h)	1
001.4	35.10051.00	OIL FILTER 100 L / MIN	1
001.5	70.10048.00	OIL FILTER CARTRIDGE (1000h+50h)	1
001.6	45.01204.00	FILTER ELEMENT 60x105x300 (500H)	1
002	KM.35000RE00	MAINTENANCE SET 1000H T133/144H	1

3521 86695 - XXXX XXXXX

02. ENGINE

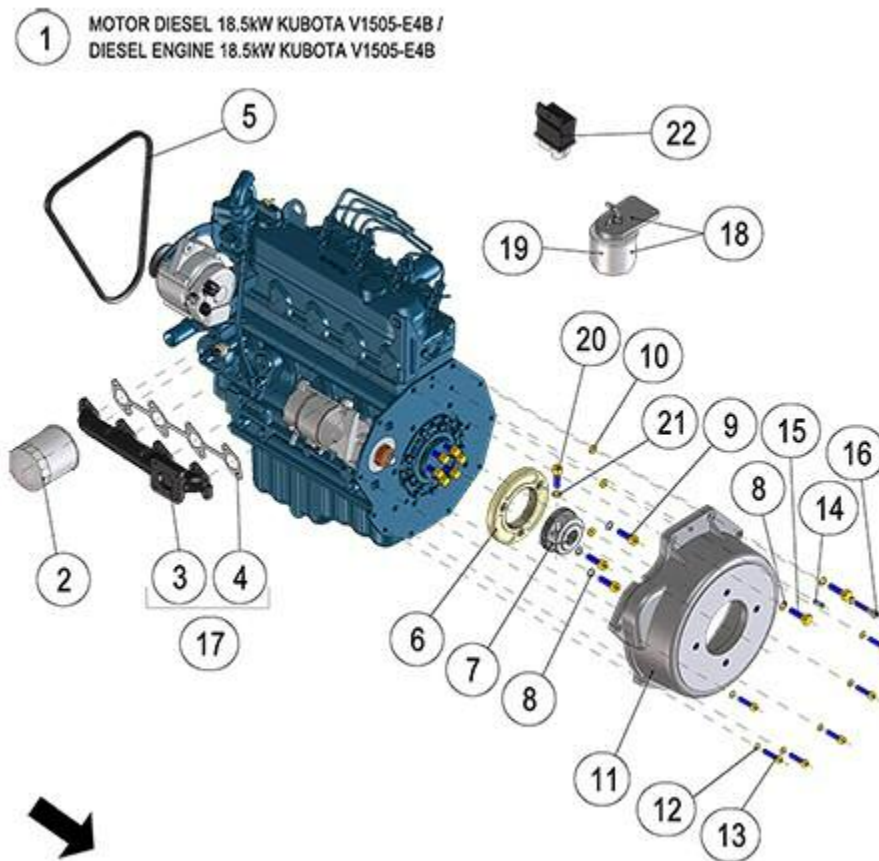


FIGURE	REFERENCE	DENOMINATION	AMOUNT
001	12.10002RE00	ENGINE KUBOTA V1505-E4B 18.5KW T144H	1
002	MN000028	ENGINE OIL FILTER	1
003	35.02112.00	EXHAUST MANIFOLD	1
004	35.02111.00	EXHAUST MANIFOLD GASKET	1
005	KU1628297011	FAN BELT (400H)	1
006	70.02090.01	SUPPORT	1
007	70.02091.01	COUPLING GEA/GEA Z50XZ15X37	1
008	104.10000.00	WASHER DIN7980 D10	6
009	633.10030.86	SCREW DIN912 M10x1.25x30	3
010	701.08000.66	NUT DIN934 M8X1,25	3
011	12.02093.00	COUPLING D102XD276X100	1
012	104.08000.00	WASHER DIN7980 D8	7
013	601.08030.86	SCREW DIN912 M8x30	6
014	402.08020.00	PIN DIN1481 8x20	1
015	617.10035.86	SCREW DIN960 M10x1.25x35	2
016	601.08040.86	SCREW DIN912	1

017	35.02110.00	EXHAUST MANIFOLD SET	1
018	KU1522443010	DIESEL FILTER + SUPPORT	1
019	DN000002	FUEL FILTER CARTRIDGE (400h)	1
020	601.10030.86	SCREW DIN912	1
021	104.10000.00	WASHER DIN7980 D10	6
022	70.11334.00		1

3521 86695 - XXXX XXXXX

02. ENGINE / EXHAUST

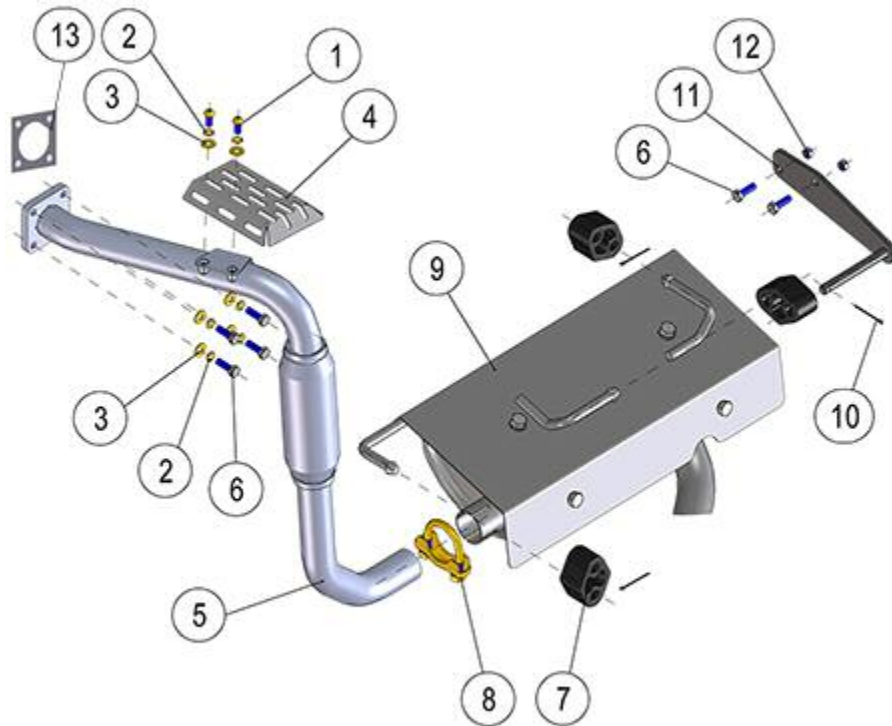


FIGURE	REFERENCE	DENOMINATION	AMOUNT
001	630.08015.96	SCREW ISO7380	2
002	104.08000.00	WASHER DIN7980 D8	6
003	101.08000.66	WASHER DIN125 D8	6
004	35.08118.01	PIPE PROTECTION	1
005	35.02075.03	EXHAUST MANIFOLD	1
006	603.08025.86	SCREW DIN933 M8x25	6
007	46.02018.00	SHOCK DAMPER 35x50x72	3
008	928.45000.66	HOSE CLAMP Ø45	1
009	35.02070.02	MUFFLER 530x310x164	1
010	401.25040.60	PIN	3
011	35.02073.00	SUPPORT 205X67X116	1
012	720.08000.66	NUT DIN985 M8 AUTOLOCKING	2
013	KU1526312370	GASKET	1

3521 86695 - XXXX XXXXX

02. ENGINE / ADMISSION

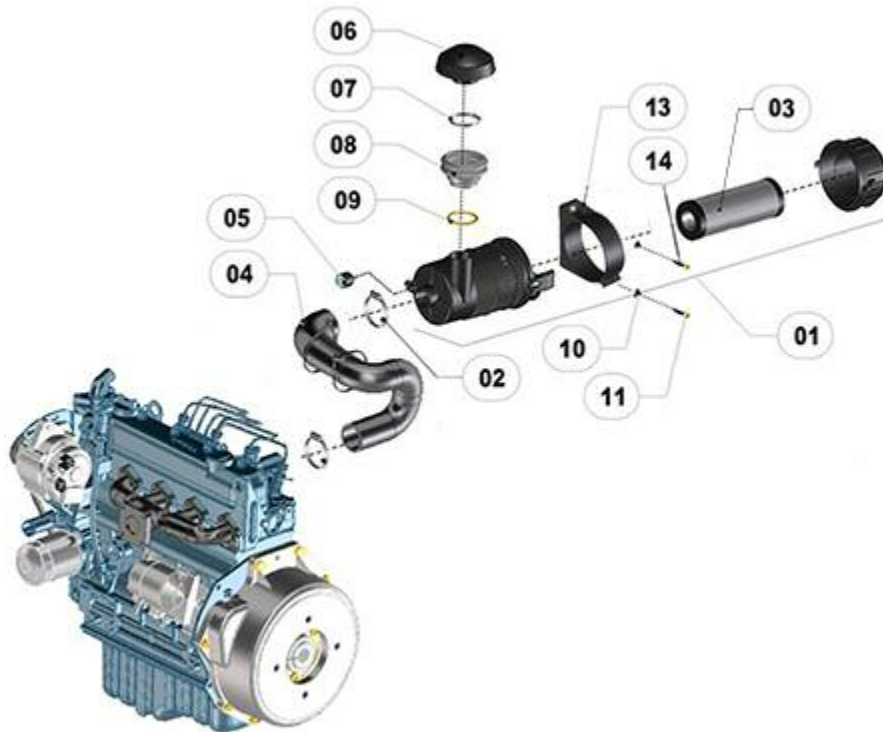


FIGURE	REFERENCE	DENOMINATION	AMOUNT
001	45.01200.12	AIR FILTER VIRGIS	1
002	912.50070.60	CLAMP	2
003	45.01204.00	FILTER ELEMENT 60x105x300 (500H)	1
004	35.02033.00	AIR INTAKE TUBE D44XD50X270	1
005	43.50119.00	AIR FILTER INDICATOR	1
006	45.01202.00	AIR FILTER PROTECTOR	1
007	912.40060.66	CLAMP D40-60	1
008	70.02067.00	ADMISSION TUBE	1
009	904.57000.00	RING 0,5 MM.	1
010	603.08030.86	SCREW DIN933 M8X30	1
011	112.08000.66	WASHER DIN9021 D8	2
013	45.01201.12	CLAMP	1
014	603.08035.86	SCREW DIN933	1

3521 86695 - XXXX XXXXX
02. ENGINE / AIR FILTER

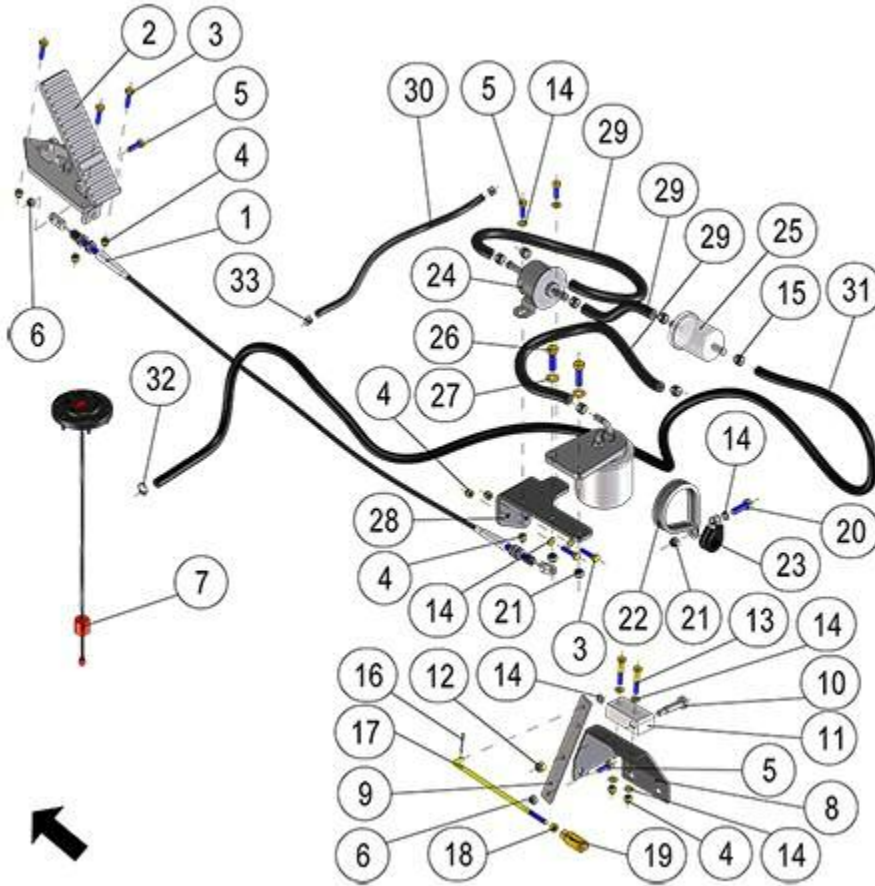


FIGURE	REFERENCE	DENOMINATION	AMOUNT
001	12.02043.00	THROTTLE CABLE 1273	1
002	12.02020.00	THROTTLE PEDAL VIMOTER	1
003	603.06025.86	SCREW DIN933 M6x25	5
004	711.06000.66	NUT DIN982 M6	9
005	603.06020.86	SCREW DIN933 M6x20	4
006	720.06000.66	NUT	2
007	64.02401.01	FUEL LEVEL 400MM	1
008	12.02041.00	SUPPORT 88X91X96	1
009	20.02142.01	LEVER 4X18X191	1
010	00.01366.01	AXLE 16X7X47 THROTTLE PEDAL	1
011	01.00126.02	AXLE SUPPORT 20X29X60	1
012	711.07000.66	NUT DIN982 M7	1
013	604.06035.86	SCREW DIN931 M6x35	2
014	101.06000.66	WASHER DIN125 D6	10
015	948.01308.00	SPRING CLAMP Ø13	7
016	401.02025.60	PIN DIN94 2x25	1

017	43.00727.00	ROD FORL6 180 M-AGU	1
018	701.06000.66	NUT DIN934 M6X1	1
019	10.16348.00	ACTIONING FORK	1
020	603.08025.86	SCREW DIN933 M8x25	1
021	711.08000.66	NUT DIN982 M8	3
022	830.06008.00	CLAMP D60X8	1
023	830.01808.00	CLAMP LOOP	1
024	KURC60151351	FUEL ASSY PUMP	1
025	KU1258143012	PRE FILTER FUEL	1
026	603.08030.86	SCREW DIN933 M8X30	2
027	101.08000.66	WASHER DIN125 D8	2
028	35.02021.00	FUEL FILTER SUPPORT 85X155	1
029	469.03014.00	HOSE L/P MAT. 8x14	1
030	469.25009.00	HOSE L/P MAT.	1
031	469.25125.28	HOSE	1
032	912.08016.66	CLAMP DIN3017	1
033	948.00907.00	CLAMP SPRING D9	2

3521 86695 - XXXX XXXXX

02. ENGINE / RADIATOR

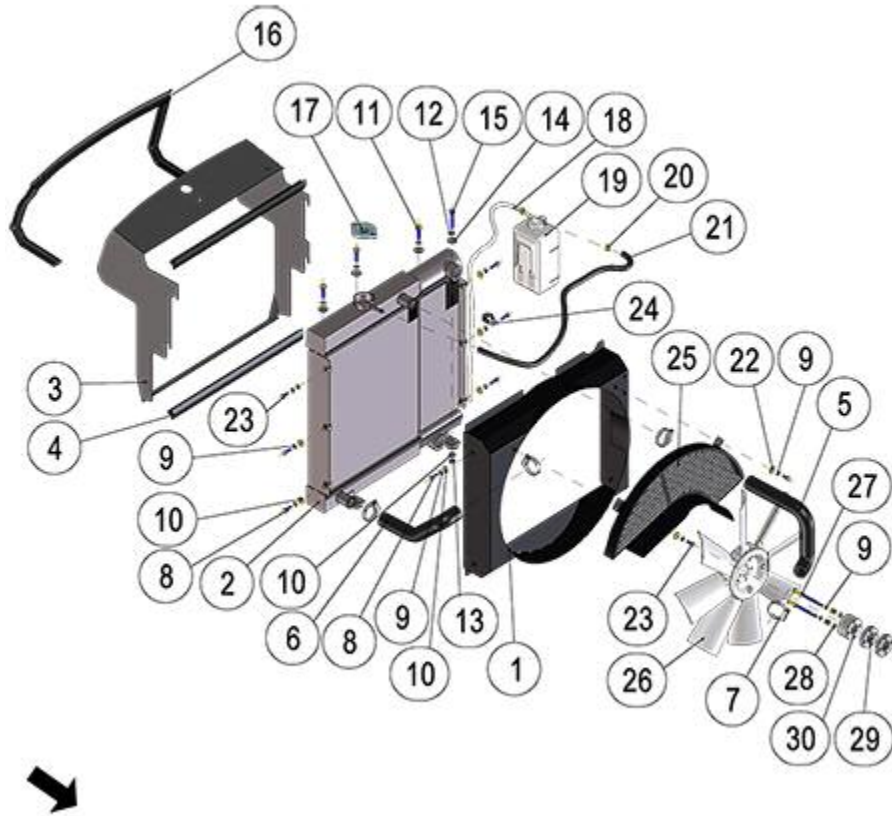


FIGURE	REFERENCE	DENOMINATION	AMOUNT
001	35.02152.03	RADIATOR COVER 490X444X91	1
002	35.02150.00	WATER HEATER 140X485X514 AC	1
003	35.02057.03	DIFFUSER 179x429x494	1
004	472.00411.00	RUBBER PROFILE MAT.	1
005	35.02053.01	RUBBER HOSE B/P	1
006	35.02054.01	RUBBER HOSE B/P	1
007	912.30045.00	CLAMP	4
008	603.08040.86	SCREW DIN933	4
009	104.08000.00	WASHER DIN7980 D8	4
010	711.08000.66	NUT DIN982 M8	4
011	603.06015.86	SCREW DIN933 M6x15	6
012	104.06000.00	WASHER DIN7980 D6	6
013	101.08000.66	WASHER DIN125 D8	6
014	112.08000.66	WASHER DIN9021 D8	4
015	603.08045.86	SCREW DIN933	1
016	472.00411.00	RUBBER PROFILE MAT.	1

017	35.02051.00	RADIATOR CAP	1
018	469.15009.00	PLASTIC HOSE 6X9	1
019	70.02028.00	KUBOTA EXPANSION TANK	1
020	948.01308.00	SPRING CLAMP Ø13	2
021	469.03014.00	HOSE L/P MAT. 8x14	1
022	112.06000.66	WASHER DIN9021 D6	2
023	35.02150.00	WATER HEATER 140X485X514 AC	1
024	824.15000.00	CLAMP LOOP	1
025	35.02700.00	FAN PROTECTION	1
026	35.02019.01	FAN 8X40 D370	1
027	604.06070.87	SCREW	4
028	101.06000.66	WASHER DIN125 D6	4
029	35.02153.00	FAN SPACER SUPPORT 10x55	2
030	35.02153.01	FAN SPACER SUPPORT 30x55	1

3521 86695 - XXXX XXXXX

02. ENGINE / SUPPORTS

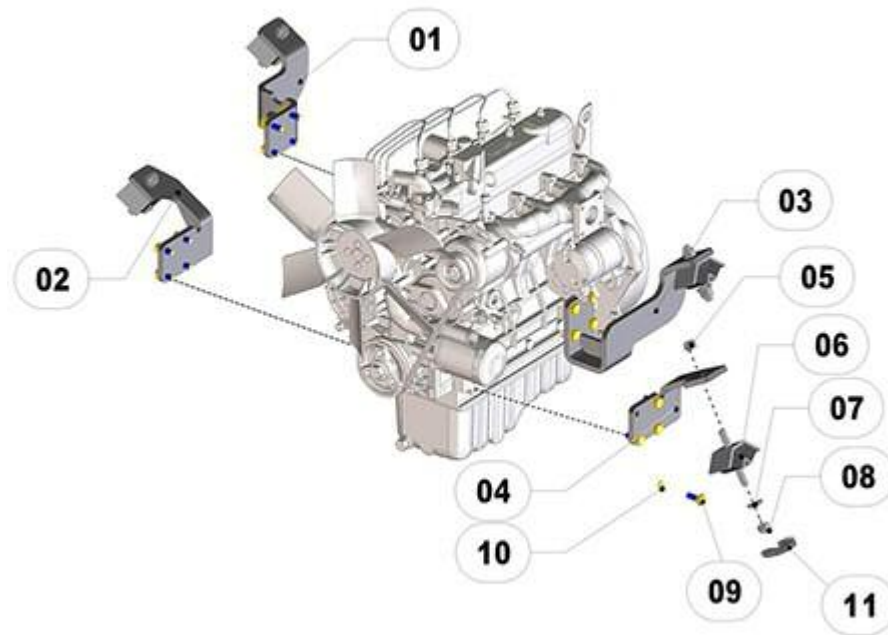


FIGURE	REFERENCE	DENOMINATION	AMOUNT
001	35.02017.00	ENGINE LEFT SUPPORT 134X154X221	1
002	35.02018.00	ENGINE LEFT SUPPORT 124X138X144	1
003	35.02016.00	ENGINE RIGHT SUPPORT 150X175X221	1
004	35.02012.00	ENGINE RIGHT SUPPORT 119X131X144	1
005	711.12000.86	NUT DIN982 M12 C8	4
006	70.02029.00	SHOCK DAMPER 50x88x42	4
007	01.00227.00	WASHER DIN6916*	4
008	711.12000.86	NUT DIN982 M12 C8	4
009	617.10025.86	SCREW DIN960 M10X25X1.25	16
010	104.10000.00	WASHER DIN7980 D10	16
011	64.09218.00	SUPPLY 0,5X14	16

3521 86695 - XXXX XXXXX

03. TRANSMISSION / HYDROSTATIC

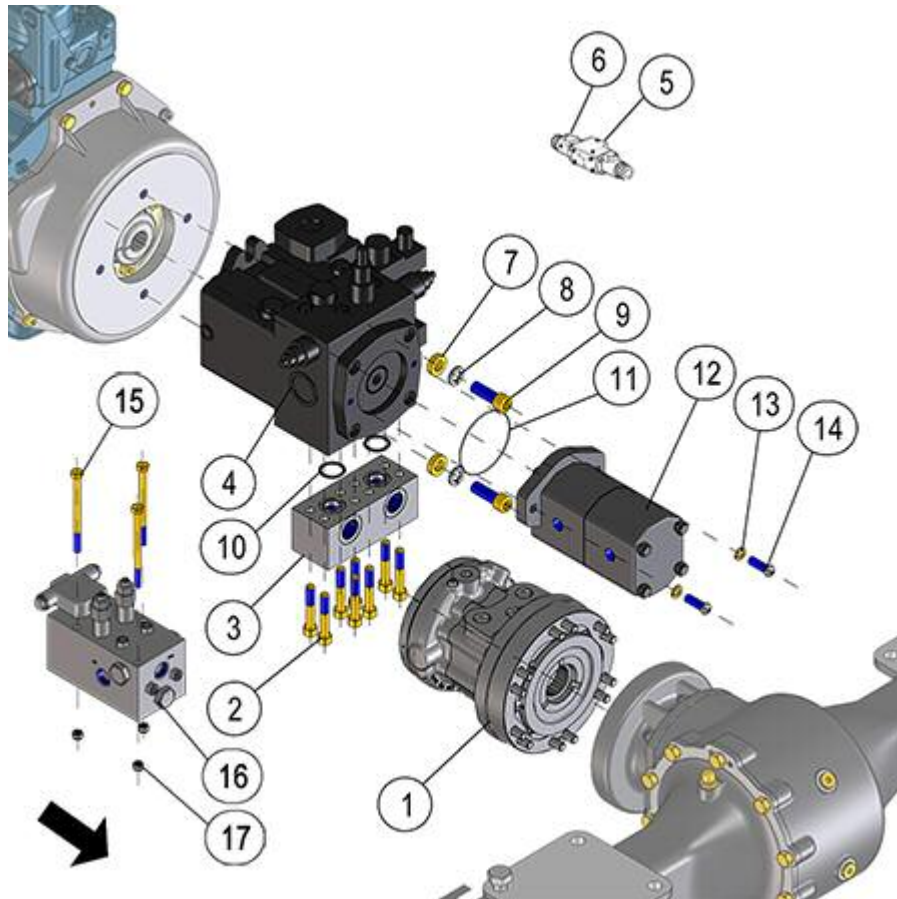


FIGURE	REFERENCE	DENOMINATION	AMOUNT
001	35.03610.00	HYDRAULIC MOTOR 297CC	1
002	601.10060.96	SCREW DIN912	8
003	35.03230.00	SLPLITING BLOCK 150X60X60	1
004	35.03270.01	HYDRAULIC PUMP 45 CC	1
005	RX.30004.00	CONTROL BOMBA	1
006	RX.30005.00	SPOOL	2
007	15.30110.00	WASHER 14X7X26	2
008	104.14000.00	CIR-CLIP EXT. DIN7980	2
009	601.14040.86	HEXAGON SOCKET HEAD SCREW DIN912 M14x40	2
010	52.01496.00	O-RING DIN3770	2
011	201.08218.50	O-RING DIN3770 82,27x85,83x1,78	1
012	35.10010.00	OIL PUMP 12L-9L	1
013	104.10000.00	WASHER DIN7980 D10	2
014	630.10030.96	SCREW ISO7380 M10x30	2
015	604.08110.87	SCREW DIN913 M8X110	3
016	35.10015.00	TRANSMISSION VALVE	1

017 711.08000.66 NUT DIN982 M8

3

3521 86695 - XXXX XXXXX

03. TRANSMISSION / FRONT AXLE

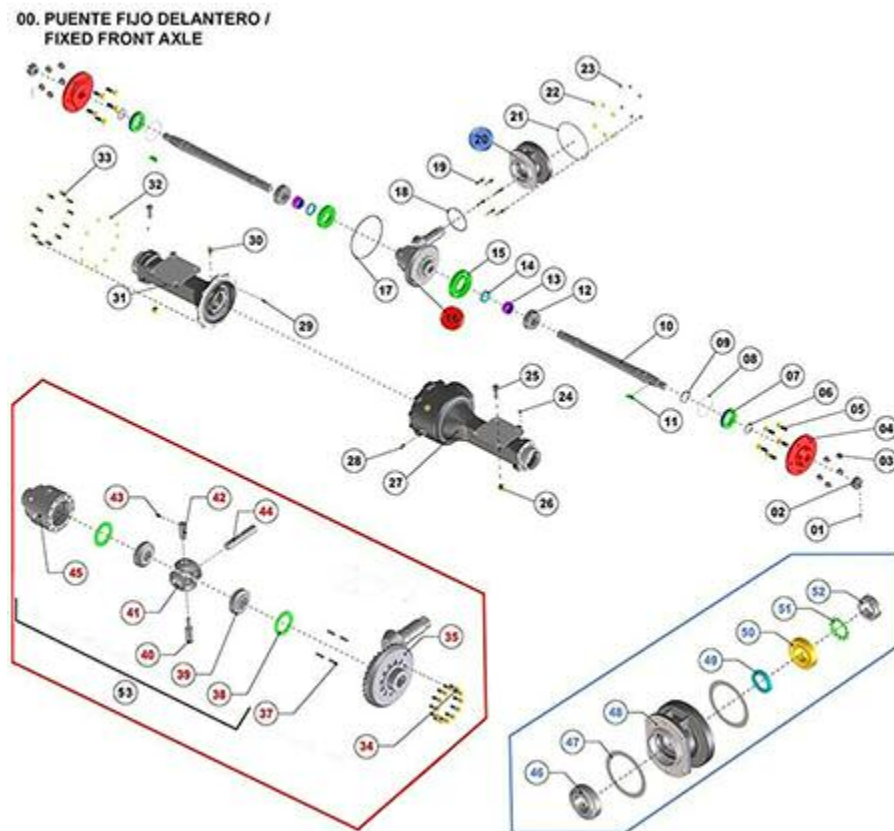


FIGURE	REFERENCE	DENOMINATION	AMOUNT
0	05.03307.11	FIXED AXLE NTJ T144H X4	1
001	401.04050.60	PIN DIN94 4x50	2
002	01.01319.00	NUT DIN935 M30x2x30	2
003	46.00588.00	NUT DIN982 M14x1,5	10
004	05.03313.00	WHEEL HUB 184X61	2
005	35.03355.00	WHEEL BOLT M14X1.5X57	10
006	101.30000.66	WASHER DIN125 D30	2
007	02.00417.00	NUT DIN547 M8x1,5 TROMPET	2
008	02.00419.00	RING DIN471 E93x3	2
009	202.45007.50	SEAL DIN3760 45x55x7	2
010	05.03321.00	DRIVESHAFT 622X54	2
011	02.00519.01	KEY DIN6888 10x16x45	2
012	304.45302.00	BEARING DIN628 3209	2
013	02.00415.00	DRIVESHAFT NUT DIN547	2
014	205.40557.50	SEAL DIN3760 40X55X7	2
015	303.70024.00	BEARING DIN628 7214-B	2

016	05.03308.00	DIFFERENTIAL SET SPROCKET	1
017	201.19535.50	GASKET DIN3770 195X3.5	1
018	201.10435.50	GASKET DIN3770 104.37X3.53	1
019	15.00476.00	STUD M10x47	6
020	05.03302.00	GROUP TRANSMISSION, SPROCKET ATTACK	1
021	201.17502.50	GASKET DIN3770 175X2	1
022	101.10000.66	WASHER DIN125 D10	6
023	711.10000.66	SHOCK ABSORBER	6
024	901.08000.33	GREASER DIN71412-A M8x1,25	2
025	604.16050.86	SCREW DIN931 M16x50	8
026	701.16000.66	NUT	8
027	05.03314.00	ASCLE 615X260	1
028	80.01035.01	CAP	3
029	403.08030.00	PIN DIN6325 D8X30	1
030	20.03104.00	CAP	1
031	05.03315.00	ASCLE 470X260	1
032	104.10000.00	WASHER DIN7980 D10	11
033	603.10025.86	SCREW DIN933 M10x25	11
034	601.08025.90	SCREW DIN912 M8X25	12
035	05.03330.00	4X198X218 TOP FRAME	1

3521 86695 - XXXX XXXXX

03. TRANSMISSION / FRONT AXLE

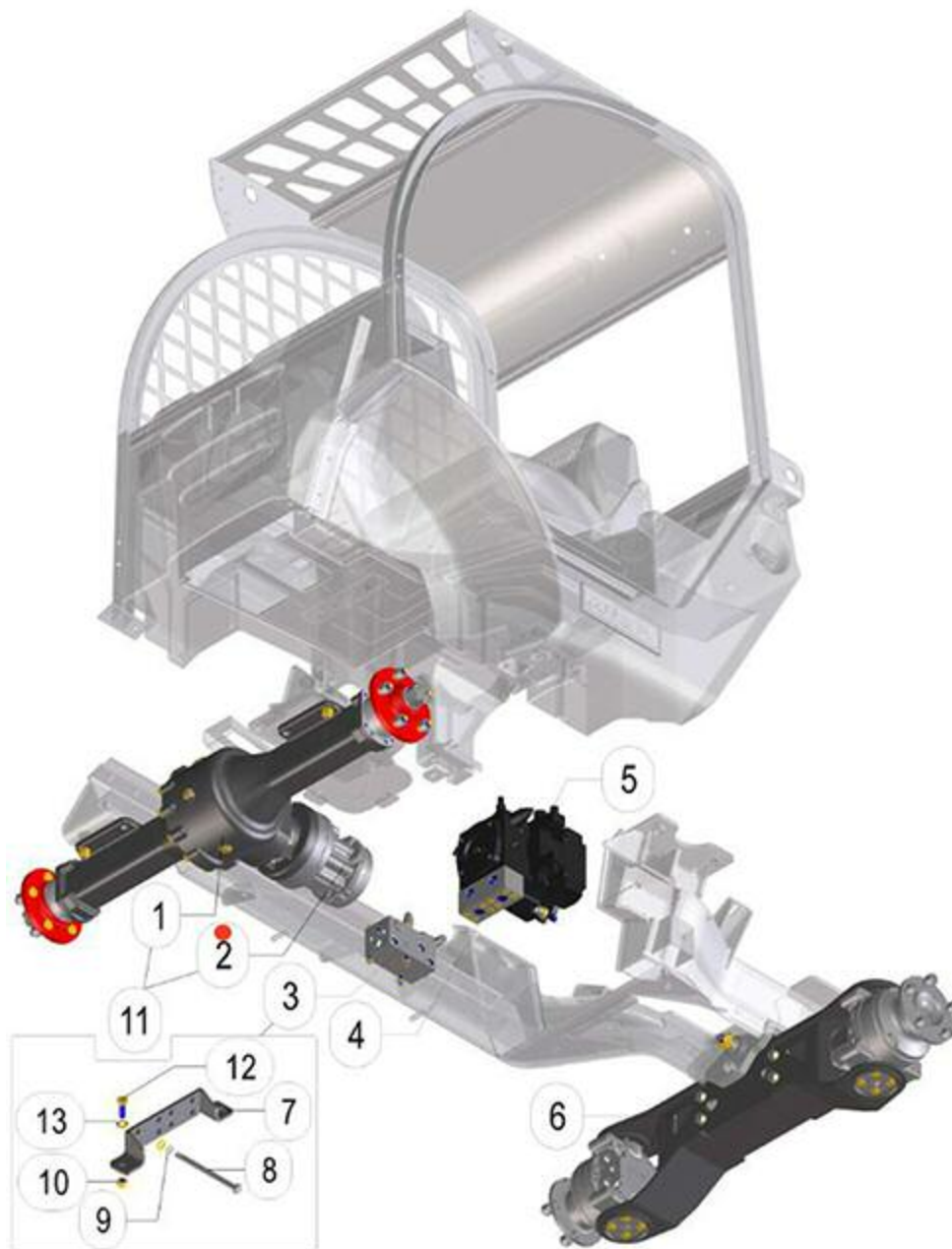
FIGURE	REFERENCE	DENOMINATION	AMOUNT
037	403.08030.00	PIN DIN6325 D8X30	4
038	15.00411.02	ADJUSTABLE WASHER 52.25x77x3	2
039	05.03333.00	CONICAL SATELLITE PINION Z26	2
040	05.03336.00	CROSS SHAFT AXIS 22X86	1
041	05.03334.00	CONICAL SATELLITE PINION Z12	4
042	05.03337.00	CROSS SHAFT AXIS 22X51	1
043	636.08020.80	SCREW DIN915 M8x20	2
044	05.03335.00	CROSS SHAFT AXIS 22X122	1
045	05.03345.00	DIFFERENTIAL CASE 122X134.5 4S	1
046	307.48030.00	BEARING DIN720 HM804848	1
047	05.03352.00	WASHER CALIBER 0.3	2
048	05.03312.00	COUPLING CYL/CYL 185X100	1
049	205.04508.50	RADIAL SHAFT SEAL DIN3760 45X65X8	1
050	307.45025.00	BEARING DIN720 32209A	1

051	111.04500.00	SAFETY WASHER MB9 D45	1
052	907.45010.00	NUT SKF KM9 M45	1
053	05.03340.00	COMPLETE CROSS SHAFT 22X122	1

03. TRANSMISSION

HOUSINGS AND AXLES

CHASSIS: 86629



14 KIT JUNTAS MOTOR HIDROSTÁTICO /
SEAL KIT HYDRAULIC MOTOR

FIGURE	REFERENCE	DENOMINATION	AMOUNT
001	05.03307RE30	FIXED AXLE NTJ T133/144 H X4	1
002	35.03610.00	HYDRAULIC MOTOR 297CC	1
003	48.10411.01	hydrostatic Valve	1
004	35.03210.00	DELIVERY PLATE 145X100X70	1

005	35.03270.01	HYDRAULIC PUMP 45 CC	1
006	05.03401.00	GUIDELINE AXLE x4 T133H/T144H	1
007	35.10315.00	SUPPORT FIXATION BLOCKS	1
008	604.12160.86	Screw DIN931 M12x160	8
009	104.12000.00	WASHER DIN7980 D12	8
010	711.12000.66	NUT DIN982 M12	2
011	05.33007RE30	KIT AXE FIXE/HYDROSTATIC ENGINE	1
012	604.12035.86	SCREW DIN931 M12x35	2
013	101.12000.66	WASHER DIN125 D12	2
014	POA36783G	FULL MOTOR SEAL KIT	1

3521 86695 - XXXX XXXXX

03. TRANSMISSION / REAR AXLE

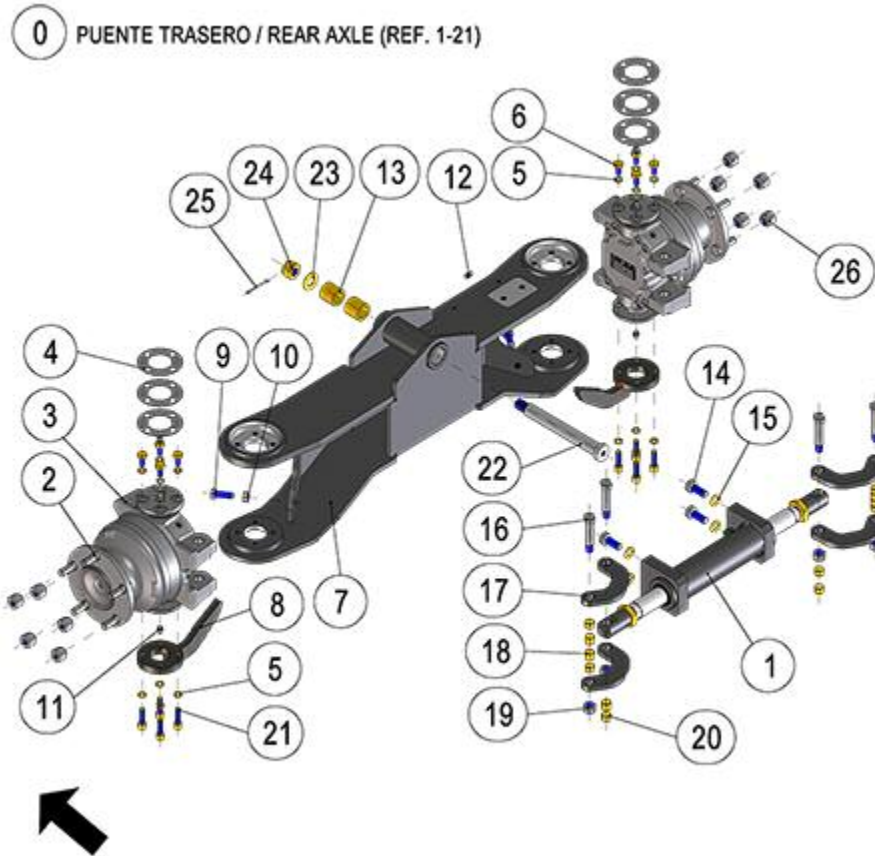


FIGURE	REFERENCE	DENOMINATION	AMOUNT
000	05.03401RE05	REAR STEERING AXLE	1
001	05.03460.02	CYLINDER D/E 55X580	1
001A	05.03454.02	SEALING KIT	1
002	PO002627935B	WHEEL SCREW SET (5 U)	2
003	35.03615.00	WHEEL HYDRAULIC MOTOR 398cc	2
004	05.03466.00	WASHER D46XD88X0.3	6
005	104.10000.00	WASHER DIN7980 D10	16
006	603.10020.86	SCREW DIN933 M10x20	8
007	05.03420.02	STEERING AXLE 945X314X162	1
008	05.03423.00	REINFORCEMENT	2
009	603.12035.86	SCREW DIN933	2
010	701.12000.66	NUT DIN934 M12x1.75	2
011	901.10001.33	GREASER	4
012	901.08000.33	GREASER DIN71412-A M8x1,25	1
013	39.10616.00	BUSH	2
014	603.14035.86	SCREW DIN933	4

015	104.14000.00	CIR-CLIP EXT. DIN7980	4
016	10.03614.03	AXLE Ø16X82.5	4
017	05.03422.01	STEERING ROD 113X12	4
018	952.01615.00	CAP D16XD18X15	8
019	718.14000.66	NUT DIN985 M14x1,5	4
020	952.01612.00	BUSH	8
021	05.03426.00	SCREW	8
022	12.03010.00	AXLE 26X20X229	1
023	101.20000.66	WASHER DIN125	1
024	710.20000.66	NUT DIN935 M20x1,5	1
025	401.04050.60	PIN DIN94 4x50	1
026	46.00588.00	NUT DIN982 M14x1,5	10

3521 86695 - XXXX XXXXX

03. TRANSMISSION / REAR AXLE

CHASSIS: 86629

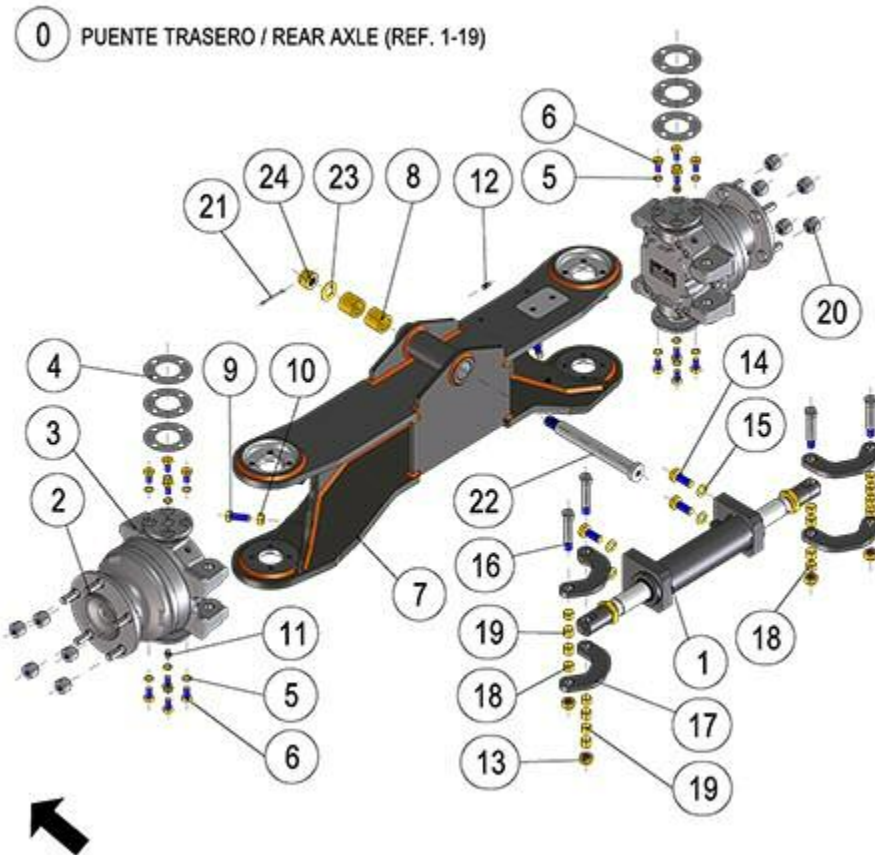


FIGURE	REFERENCE	DENOMINATION	AMOUNT
000	05.03401RE06	STEERING AXLE	1
001	05.03460.02	CYLINDER D/E 55X580	1
001.1	05.03454.02	SEALING KIT	1
002	POB29492F	SCREWS SET 5u.	2
003	35.03615.01	WHEEL HYDRAULIC ENGINE	2
004	05.03466.00	WASHER D46XD88X0.3	6
005	104.10000.00	WASHER DIN7980 D10	16
006	603.10020.86	SCREW DIN933 M10x20	16
007	05.03420.03	STEERING AXLE	1
008	39.10616.00	BUSH	2
009	603.12035.86	SCREW DIN933	2
010	701.12000.66	NUT DIN934 M12x1.75	2
011	901.10001.33	GREASER	4
012	901.08000.33	GREASER DIN71412-A M8x1,25	1
013	718.14000.66	NUT DIN985 M14x1,5	4

014	603.14035.86	SCREW DIN933	4
015	104.14000.00	CIR-CLIP EXT. DIN7980	4
016	10.03614.03	AXLE Ø16X82.5	4
017	05.03422.01	STEERING ROD 113X12	4
018	952.01615.00	CAP D16XD18X15	8
019	952.01612.00	BUSH	8
020	46.00588.00	NUT DIN982 M14x1,5	10
021	401.04050.60	PIN DIN94 4x50	1
022	12.03010.00	AXLE 26X20X229	1
023	101.20000.66	WASHER DIN125	1
024	710.20000.66	NUT DIN935 M20x1,5	1

3521 86695 - XXXX XXXXX
04. CHASSIS / CHASSIS

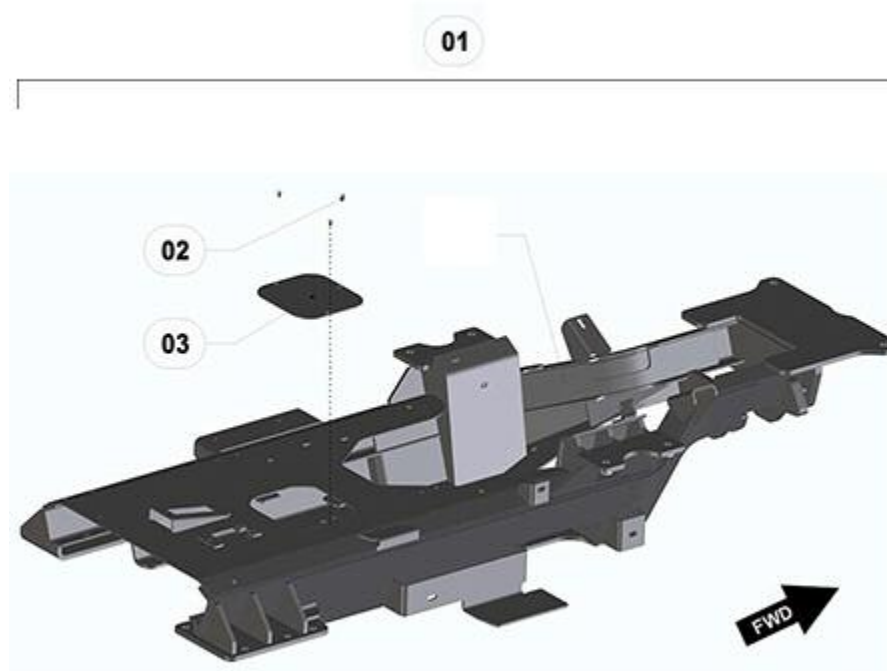


FIGURE	REFERENCE	DENOMINATION	AMOUNT
001	35.04000.05	FRAME 347X828X2144	1
002	618.06010.86	SCREW DIN7991 M6x10	3
003	35.04031.00	LEFT GUARD 726X315X3	1

3521 86695 - XXXX XXXXX

05. BRAKE ACTIVATION / FOOTBRAKE

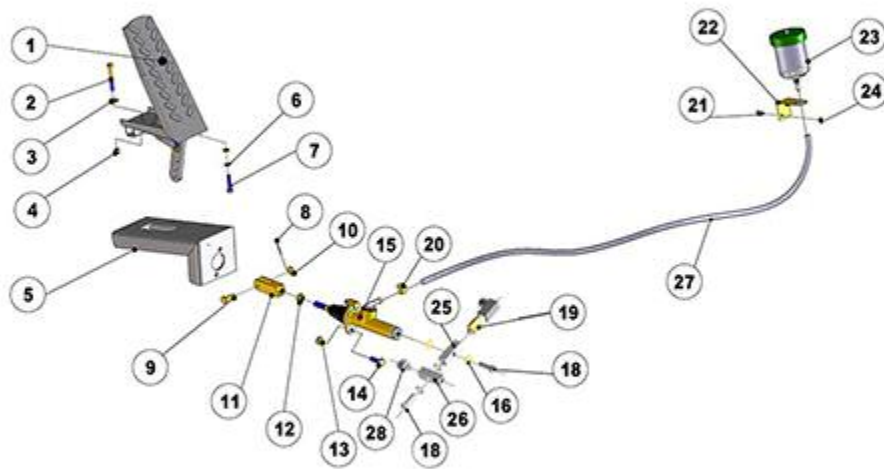


FIGURE	REFERENCE	DENOMINATION	AMOUNT
001	43.80251.02	BRAKE PEDAL 55X116X250	1
002	604.06050.86	SCREW DIN931	1
003	112.06000.66	WASHER DIN9021 D6	1
004	711.06000.66	NUT DIN982 M6	1
005	20.03076.00	FOOT PUMP SUPPORT	1
006	104.06000.00	WASHER DIN7980 D6	4
007	603.06030.86	SCREW DIN933 M6x30	2
008	401.02025.60	PIN DIN94 2x25	1
009	01.00514.01	AXLE CIL/CPA 14x8x28	1
010	101.08000.66	WASHER DIN125 D8	1
011	15.00715.00	ARTICULATED FORK	1
012	701.10000.66	NUT DIN934 M10x1.5	1
013	701.08000.66	NUT DIN934 M8X1,25	2
014	603.08025.86	SCREW DIN933 M8x25	2
015	20.03070.00	FOOT BRAKING PUMP D15.8X38 OIL MIN.	1
016	106.10000.20	WASHER CU 10x16x1,5 DIN7603A	4

018	20.05036.00	FITTING SCREW SIMPLE M10X1	2
019	20.03077.01	SWITCH 1/8 BSPT 22BAR	1
020	912.10000.66	CLAMP	1
021	603.05015.86	SCREW DIN933	2
022	43.07511.01	SUPPORT	1
023	43.00751.02	TANK SET	1
024	701.05000.66	NUT DIN934 M5x0.8	2
025	46.05064.00	FITTING O/H/H	1
026	20.03075.00	FITTING O/H/H 16X16X50	1
027	469.15009.00	PLASTIC HOSE 6X9	1
028	43.01520.00	BRAKE FLUID SWITCH	1

3521 86695 - XXXX XXXXX

05. BRAKE ACTIVATION / FOOTBRAKE

CHASSIS: 91230

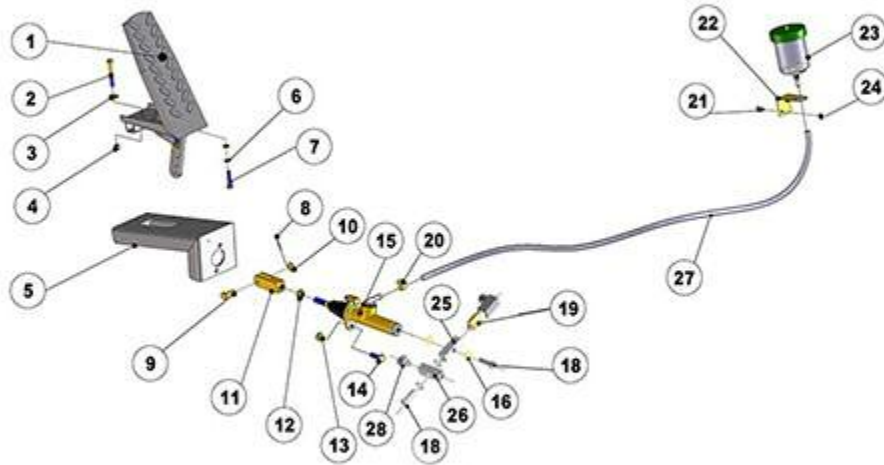


FIGURE	REFERENCE	DENOMINATION	AMOUNT
001	43.80251.04	BRAKE PEDAL	1
002	604.06050.86	SCREW DIN931	1
003	112.06000.66	WASHER DIN9021 D6	1
004	711.06000.66	NUT DIN982 M6	1
005	20.03076.00	FOOT PUMP SUPPORT	1
006	104.06000.00	WASHER DIN7980 D6	4
007	603.06030.86	SCREW DIN933 M6x30	2
008	401.02025.60	PIN DIN94 2x25	1
009	01.00514.01	AXLE CIL/CPA 14x8x28	1
010	101.08000.66	WASHER DIN125 D8	1
011	15.00715.00	ARTICULATED FORK	1
012	701.10000.66	NUT DIN934 M10x1.5	1
013	701.08000.66	NUT DIN934 M8X1,25	2
014	603.08025.86	SCREW DIN933 M8x25	2
015	20.03070.00	FOOT BRAKING PUMP D15.8X38 OIL MIN.	1

016	106.10000.20	WASHER CU 10x16x1,5 DIN7603A	4
018	20.05036.00	FITTING SCREW SIMPLE M10X1	2
019	20.03077.01	SWITCH 1/8 BSPT 22BAR	1
020	912.10000.66	CLAMP	1
021	603.05015.86	SCREW DIN933	2
022	43.07511.01	SUPPORT	1
023	43.00751.02	TANK SET	1
024	701.05000.66	NUT DIN934 M5x0.8	2
025	46.05064.00	FITTING O/H/H	1
026	20.03075.00	FITTING O/H/H 16X16X50	1
027	469.15009.00	PLASTIC HOSE 6X9	1
028	43.01520.00	BRAKE FLUID SWITCH	1

3521 86695 - XXXX XXXXX

06. STEERING

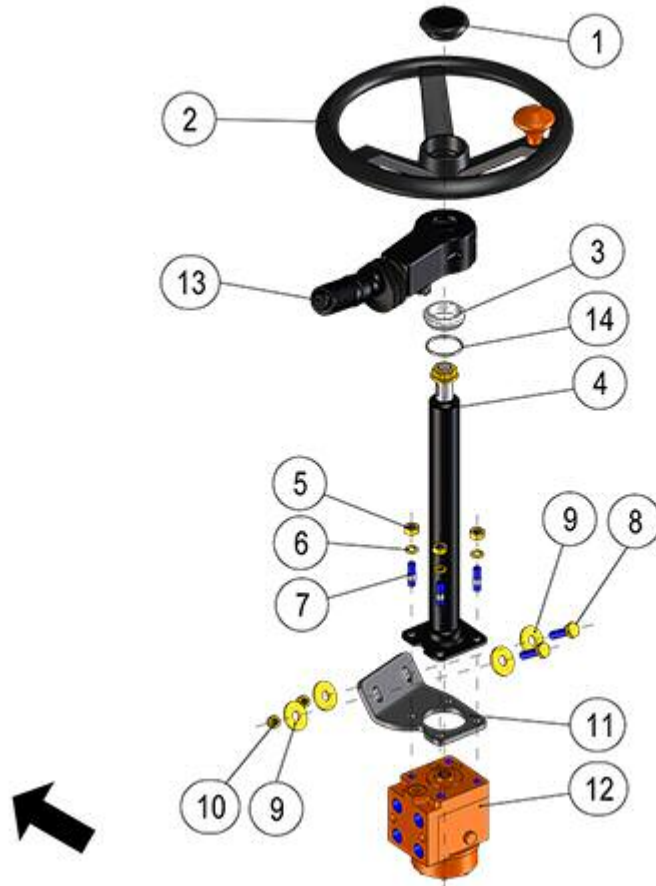


FIGURE	REFERENCE	DENOMINATION	AMOUNT
001	00.00626.05	TRIM	1
002	15.01016.01	STEERING WHEEL D21-315 WITH POMMEL	1
003	15.20727.01	NYLON BEARING 17X38X52	1
004	35.06010.01	STEERING COLUMN	1
005	701.10000.66	NUT DIN934 M10x1.5	4
006	104.10000.00	WASHER DIN7980 D10	4
007	15.00435.01	STUD DIN938 33 M10x1.5	4
008	603.10035.86	SCREW DIN933 M10x35	2
009	112.12000.66	WASHER DIN9021 D 12X36	4
010	711.10000.66	SHOCK ABSORBER	2
011	35.06020.00	STEERING SUPPORT 49X100X115	1
012	10.00685.02	HYDROSTATIC STEERING 50 CC	1
013	35.11413.00	CONTROL LEVER F-N-R	1
014	201.03953.50	O-RING DIN3770 D39.5XD3	1

3521 86695 - XXXX XXXXX

06. STEERING

CHASSIS: 87124

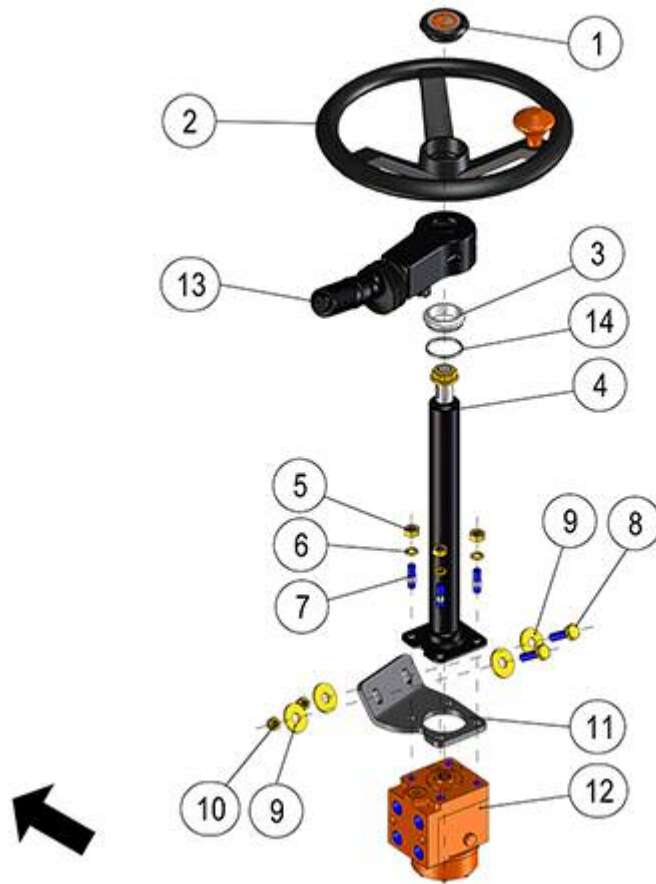


FIGURE	REFERENCE	DENOMINATION	AMOUNT
001	00.00626.05	TRIM	1
002	15.01016.01	STEERING WHEEL D21-315 WITH POMMEL	1
003	15.20727.01	NYLON BEARING 17X38X52	1
004	35.06010.01	STEERING COLUMN	1
005	701.10000.66	NUT DIN934 M10x1.5	4
006	104.10000.00	WASHER DIN7980 D10	4
007	15.00435.01	STUD DIN938 33 M10x1.5	4
008	603.10035.86	SCREW DIN933 M10x35	2
009	112.12000.66	WASHER DIN9021 D 12X36	4
010	711.10000.66	SHOCK ABSORBER	2
011	35.06020.00	STEERING SUPPORT 49X100X115	1
012	24.06200.00	HYDROSTATIC STEERING	1
013	35.11413.00	CONTROL LEVER F-N-R	1
014	201.03953.50	O-RING DIN3770 D39.5XD3	1

3521 86695 - XXXX XXXXX
07. WHEELS / STANDARD



FIGURE	REFERENCE	DENOMINATION	AMOUNT
001	35.07030DE01	RIGHT WHEEL MOUNTED 11.0/65 x 12 OFF.0	2
001	35.07030IZ01	LEFT WHEEL MOUNTED 11.0/65 X 12 OFF.0	2
002	17.07031.01	WHEEL 7.00 X 12 OFFSET 0	4

3521 86695 - XXXX XXXXX

08. BODYWORK / SHEETS

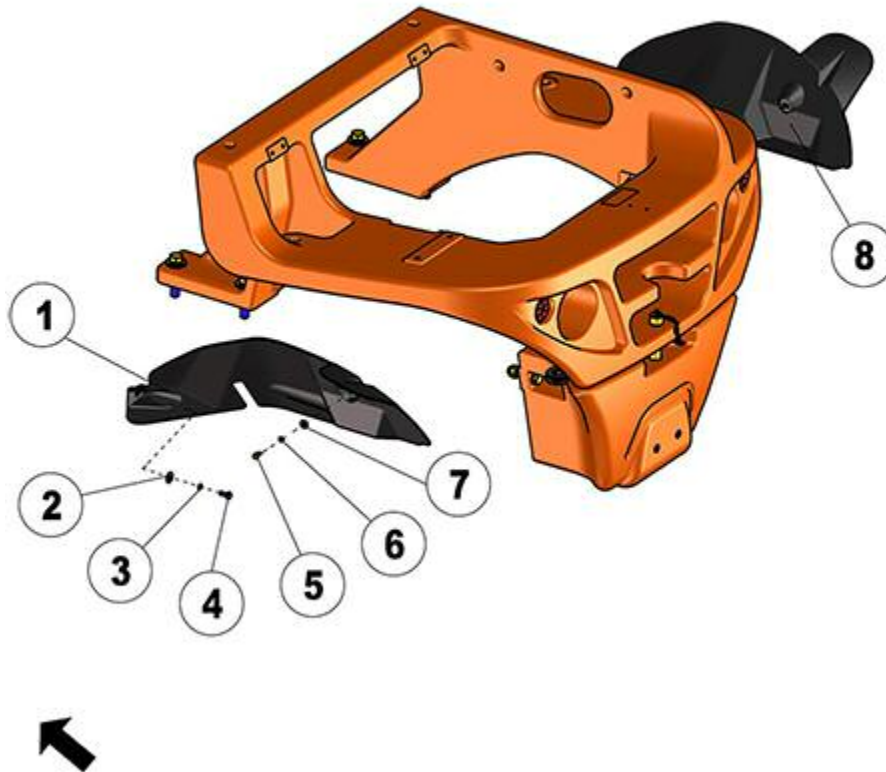


FIGURE	REFERENCE	DENOMINATION	AMOUNT
001	35.08021.00	LEFT GUARD 726X315X3	1
002	112.08000.66	WASHER DIN9021 D8	2
003	104.08000.00	WASHER DIN7980 D8	2
004	603.08020.86	SCREW DIN933 M8x20	2
005	603.06015.86	SCREW DIN933 M6x15	2
006	104.06000.00	WASHER DIN7980 D6	2
007	112.06000.66	WASHER DIN9021 D6	2
008	35.08020.00	RIGHT GUARD 726X315X3	1

3521 86695 - XXXX XXXXX
08. BODYWORK / JOYSTICK LEVER

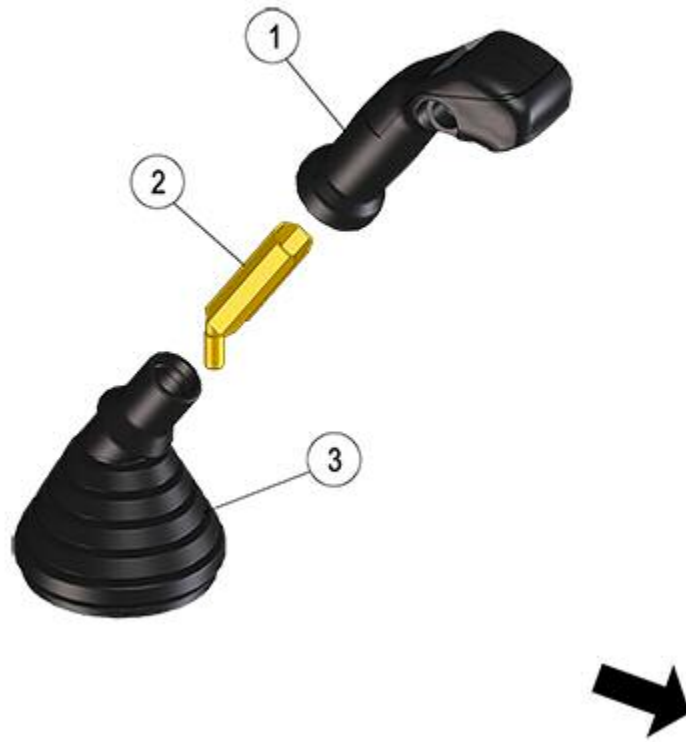


FIGURE	REFERENCE	DENOMINATION	AMOUNT
001	35.11181.01	JOYSTICK	1
002	10.13154.03	AXLE 180XD25XM10	1
003	43.50349.00	DUST PROTECTOR	1

3521 86695 - XXXX XXXXX
08. BODYWORK / CABIN

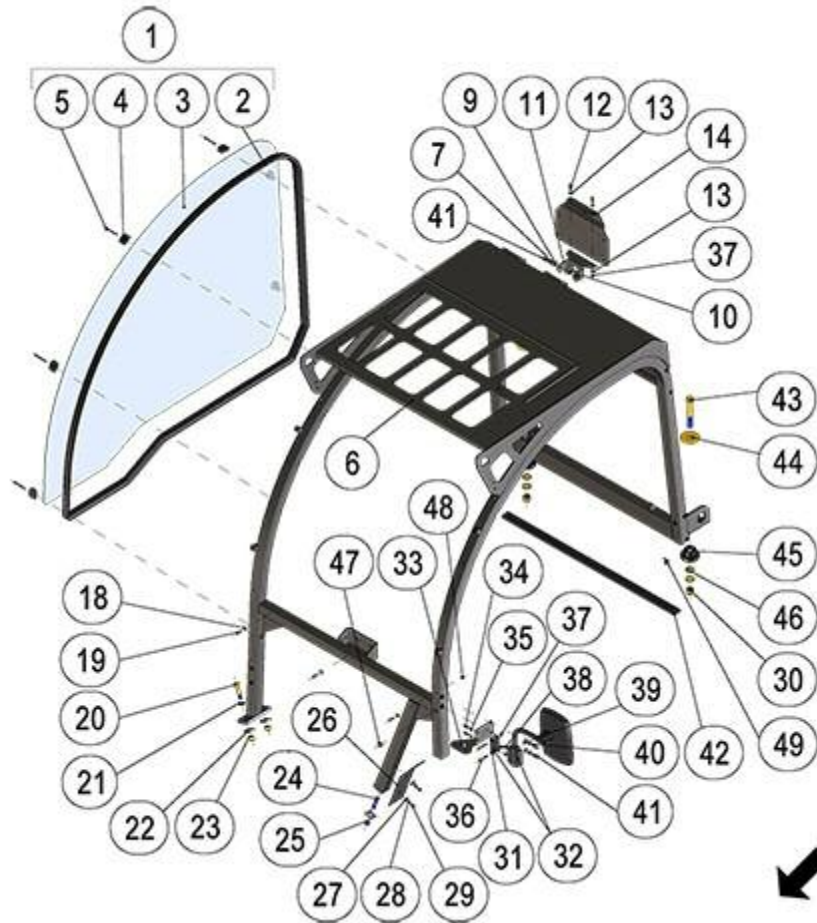


FIGURE	REFERENCE	DENOMINATION	AMOUNT
001	35.08400.00	SIDE GLASS SET T144H	1
002	46.08501.00	CABIN RUBBER PROFILE (4.21 METERS)	1
003	35.13051.01	RIGHT GLASS	1
004	MA.10030.00	NUT DIN1587	6
005	MA.10065.00	SCREW DIN7604	6
006	35.08150.01	DRIVER PROTECTION	1
007	101.08000.67	WASHER DIN125 D8	4
009	116.08000.00	WASHER DIN125 A D8	2
010	711.08000.66	NUT DIN982 M8	2
011	35.08190.00	SUPPORT	1
012	630.06020.96	SCREW ISO7380 M6x20	2
013	101.06000.66	WASHER DIN125 D6	4
014	66.13300.00	NUMBER PLATE SUPPORT 250x196x30x1.5 (7022)	1
015	618.08045.86	SCREW	4
016	618.08020.86	SCREW DIN7991 M8x20	2

017	MA.10006.00	GLASS HINGE	2
018	112.05000.66	WASHER DIN9021 D5	3
019	619.05016.86	SCREW DIN7971 4.8X16	3
020	604.12050.86	SCREW DIN931 M12x50	2
021	101.12000.66	WASHER DIN125 D12	2
022	00.00184.00	WASHER DIN434 14X30X4.9	2
023	711.12000.66	NUT DIN982 M12	3
024	08.00123.10	STUD DIN939*	2
025	720.12000.66	NUT M12 DIN985 AUTOLOCKING	1
026	35.08154.00	METALLIC PLATE 2X70X237	1
027	112.06000.66	WASHER DIN9021 D6	2
028	104.06000.00	WASHER DIN7980 D6	2
029	603.06015.86	SCREW DIN933 M6x15	2
030	711.16000.66	NUT DIN982 M16 8.8 K	2
031	09.11012.00	SOP. EJE 18X25X75 RETROVISOR	1
032	09.11009.00	REARVIEW MIRROR COMPLETE ASSY	1
033	35.13021.02	LEFT LIGHT SUPPORT	1
034	603.05015.86	SCREW DIN933	2
035	101.05000.66	WASHER DIN125 D5	2
036	604.06035.86	SCREW DIN931 M6x35	2
037	711.06000.66	NUT DIN982 M6	4

3521 86695 - XXXX XXXXX

08. BODYWORK / CABIN

FIGURE	REFERENCE	DENOMINATION	AMOUNT
038	711.05000.66	NUT DIN982 M5	2
039	101.08000.66	WASHER DIN125 D8	2
040	104.08000.00	WASHER DIN7980 D8	2
041	630.08020.96	SCREW ISO7380	4
042	477.27020.00	PROFILE RUBBER MATERIAL (TO METERS)	1
043	604.16110.86	SCREW DIN931 M16x110	2
044	43.70833.00	WASHER 65X16X5	2
045	43.70831.00	SHOCK DAMPER	2
046	101.16000.66	WASHER DIN125 D16	4
047	02.32018.00	PLASTIC D18 CAP	3
048	02.32008.00	PLASTIC PLUG	11
049	35.10809.00	FITTING	1

3521 86695 - XXXX XXXXX
08. BODYWORK / ENGINE HOOD



FIGURE	REFERENCE	DENOMINATION	AMOUNT
001	35.08170.03	ENGINE COVER	1
002	472.00410.00	RUBBER PROFILE 22X22	1
003	112.05000.66	WASHER DIN9021 D5	2
004	601.05025.86	SCREW DIN912 M5X25	2
005	70.08026.00	ENGINE COVER LOCKING	1
006	615.04015.66	SCREW DIN84 M4x15	2
007	104.04000.00	WASHER DIN7980 D4	2
008	35.08173.00	HITCH BRACKET 20X40X71	1
009	711.05000.66	NUT DIN982 M5	2
010	35.08180.00	SOUND ABSORBENT SHEET	1
011	35.08182.00	SUPPORT	1
012	727.06004.86	CAGED NUT M6x4	4
013	35.08183.00	SUPPORT	1
014	630.06025.96	SCREW ISO7380 M6x25	4

015	48.08038.00	SHOCK REAR DOOR W	1
016	101.06000.66	WASHER DIN125 D6	4
018	35.08172.00	HINGE 14X65X75	2
019	104.06000.00	WASHER DIN7980 D6	4
020	603.06015.86	SCREW DIN933 M6x15	4
021	35.08181.00	SCREW	5
022	603.06010.86	SCREW DIN933 M6x10	4
023	104.06000.00	WASHER DIN7980 D6	4
024	101.06000.66	WASHER DIN125 D6	4
025	35.08225.00	SHIM	6

3521 86695 - XXXX XXXXX
08. BODYWORK / ENGINE COVER

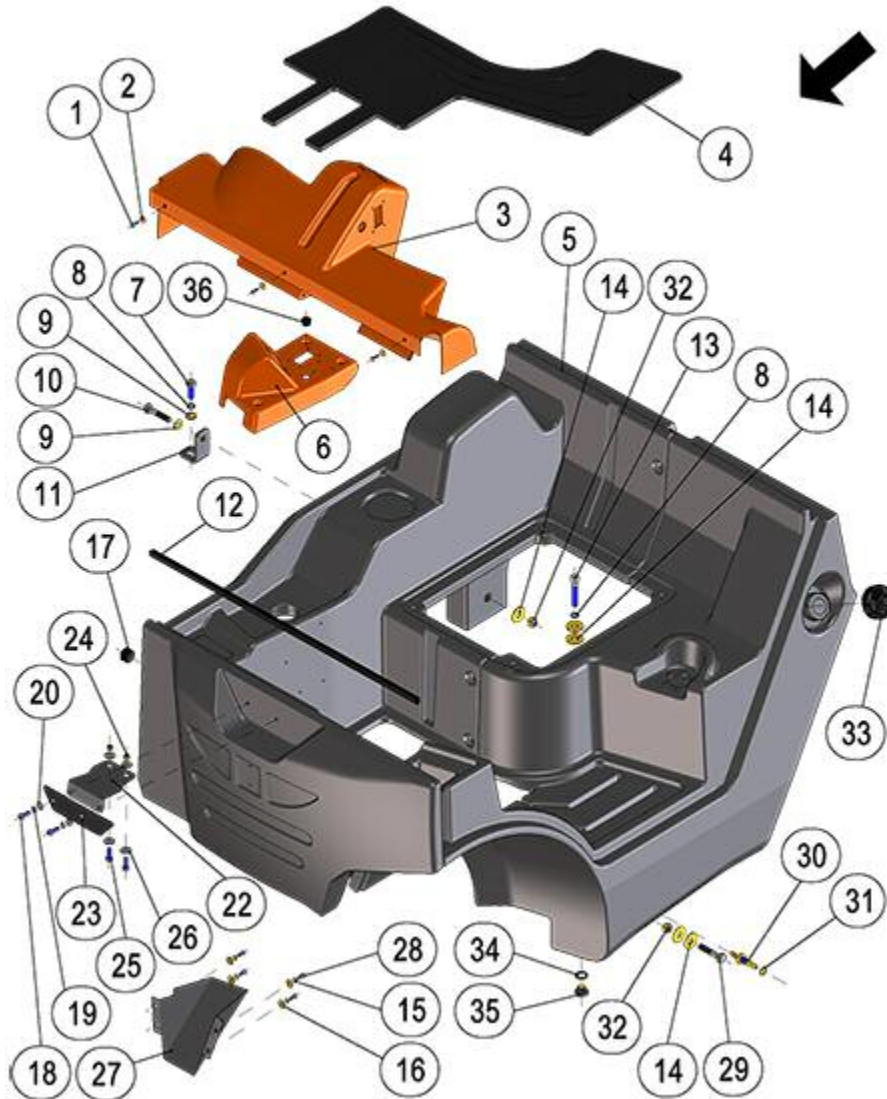


FIGURE	REFERENCE	DENOMINATION	AMOUNT
001	619.05016.86	SCREW DIN7971 4.8X16	3
002	112.05000.66	WASHER DIN9021 D5	3
003	35.08103.02	DASHBOARD	1
004	35.08105.01	GROUND CARPET	1
005	35.08140.00	SEAT BASE + FUEL TANK 55L	1
006	35.11003.02	CONTROLS FLANGE 142X158X308	1
007	603.12035.86	SCREW DIN933	2
008	104.12000.00	WASHER DIN7980 D12	3
009	101.12000.66	WASHER DIN125 D12	6
010	604.12060.86	SCREW DIN931 M12x60	3
011	35.08113.00	ANGLE SUPPORT 40X56X80	2

013	601.12065.86	SCREW	1
014	112.12000.66	WASHER DIN9021 D 12X36	1
015	104.06000.00	WASHER DIN7980 D6	1
016	112.06000.66	WASHER DIN9021 D6	4
017	02.32030.00	CAP D30 PLASTIC	2
018	630.08025.96	SCREW ISO7380	2
019	104.08000.00	WASHER DIN7980 D8	2
020	101.08000.66	WASHER DIN125 D8	2
022	35.08128.00	SEAT BASE SUPPOR	1
023	35.08129.00	SEAT BASE SUPPORT	1
024	711.08000.66	NUT DIN982 M8	2
025	603.08025.86	SCREW DIN933 M8x25	2
026	112.08000.66	WASHER DIN9021 D8	2
027	35.08139.00	COVER	1
028	630.06015.96	SCREW ISO7380 M6x15	4
029	604.12060.86	SCREW DIN931 M12x60	1
030	52.00110.02	FITTING M/M 14x9	1
031	107.14000.10	WASHER AL 14x20x1.5	1
032	711.12000.66	NUT DIN982 M12	5
033	35.08106.00	TANK CAP	1
034	237.02035.50	GASKET	1
035	60.10801.01	CAP	1
036	02.32022.00	CAP	1

3521 86695 - XXXX XXXXX

08. BODYWORK / ENGINE COVER

CHASSIS: 88664

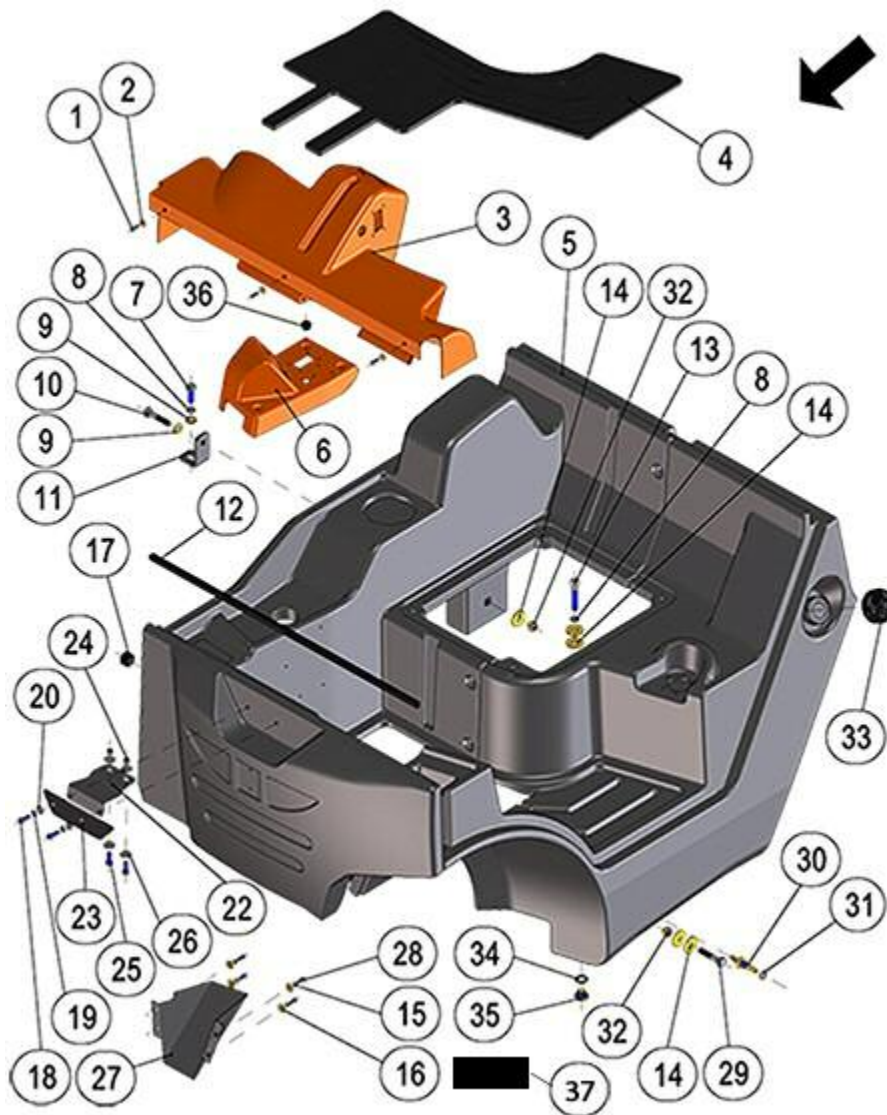


FIGURE	REFERENCE	DENOMINATION	AMOUNT
001	619.05016.86	SCREW DIN7971 4.8X16	3
002	112.05000.66	WASHER DIN9021 D5	3
003	35.08103.02	DASHBOARD	1
004	35.08105.01	GROUND CARPET	1
005	35.08140.00	SEAT BASE + FUEL TANK 55L	1
006	35.11003.02	CONTROLS FLANGE 142X158X308	1
007	603.12035.86	SCREW DIN933	2
008	104.12000.00	WASHER DIN7980 D12	3
009	101.12000.66	WASHER DIN125 D12	6
010	604.12060.86	SCREW DIN931 M12x60	3

011	35.08113.00	ANGLE SUPPORT 40X56X80	2
013	601.12065.86	SCREW	1
014	112.12000.66	WASHER DIN9021 D 12X36	1
015	104.06000.00	WASHER DIN7980 D6	1
016	112.06000.66	WASHER DIN9021 D6	4
017	02.32030.00	CAP D30 PLASTIC	2
018	630.08025.96	SCREW ISO7380	2
019	104.08000.00	WASHER DIN7980 D8	2
020	101.08000.66	WASHER DIN125 D8	2
022	35.08128.00	SEAT BASE SUPPOR	1
023	35.08129.00	SEAT BASE SUPPORT	1
024	711.08000.66	NUT DIN982 M8	2
025	603.08025.86	SCREW DIN933 M8x25	2
026	112.08000.66	WASHER DIN9021 D8	2
027	35.08139.00	COVER	1
028	630.06015.96	SCREW ISO7380 M6x15	4
029	604.12060.86	SCREW DIN931 M12x60	1
030	52.00110.02	FITTING M/M 14x9	1
031	107.14000.10	WASHER AL 14x20x1.5	1
032	711.12000.66	NUT DIN982 M12	5
033	35.08106.00	TANK CAP	1
034	237.02035.50	GASKET	1
035	60.10801.01	CAP	1
036	02.32022.00	CAP	1
037	927.00120.50	RUBBER SHEET	1

COMMENTS

PM.00134

3521 86695 - XXXX XXXXX
08. BODYWORK / SEAT



FIGURE	REFERENCE	DENOMINATION	AMOUNT
001	66.08260.00	DRIVER SEAT WITH BELT AND SENSOR	1
002	66.08261.00	ORANGE SAFETY BELT	1
003	66.08265.00	DRIVER SEAT WITH SENSOR	1
004	603.10020.86	SCREW DIN933 M10x20	4
005	104.10000.00	WASHER DIN7980 D10	4
006	112.10000.66	WASHER DIN9021 D10	4
007	35.08260.00	SUPPLEMENT	2
008	35.08114.03	SEAT SUPPORT	1
009	101.08000.66	WASHER DIN125 D8	4
010	711.08000.66	NUT DIN982 M8	5

011	112.08000.66	WASHER DIN9021 D8	1
012	35.08261.00	L-PROFILE	1
013	630.08020.96	SCREW ISO7380	1

3521 86695 - XXXX XXXXX

08. BODYWORK / SIDE COVER

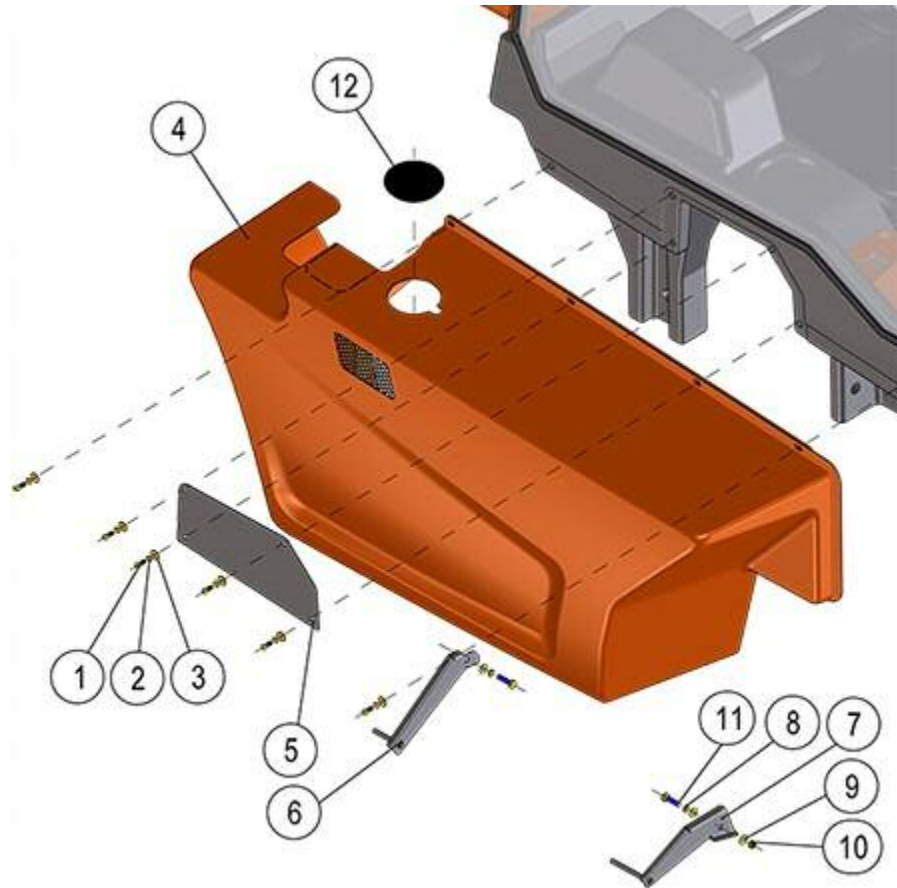


FIGURE	REFERENCE	DENOMINATION	AMOUNT
001	630.06020.96	SCREW ISO7380 M6x20	6
002	104.06000.00	WASHER DIN7980 D6	6
003	112.06000.66	WASHER DIN9021 D6	6
004	35.08102.04	SIDE COVER T144H	1
005	35.08112.00	DISTRIBUTOR COVER 335X156X2	1
006	35.08209.00	SUPPORT 214X66X128	1
007	35.08210.00	SUPPORT 215X63X94	1
008	104.08000.00	WASHER DIN7980 D8	2
009	101.08000.66	WASHER DIN125 D8	3
010	711.08000.66	NUT DIN982 M8	1
011	603.08030.86	SCREW DIN933 M8X30	2
012	02.00757.01	CAP	1

3521 86695 - XXXX XXXXX

08. BODYWORK / COUNTERWEIGHT

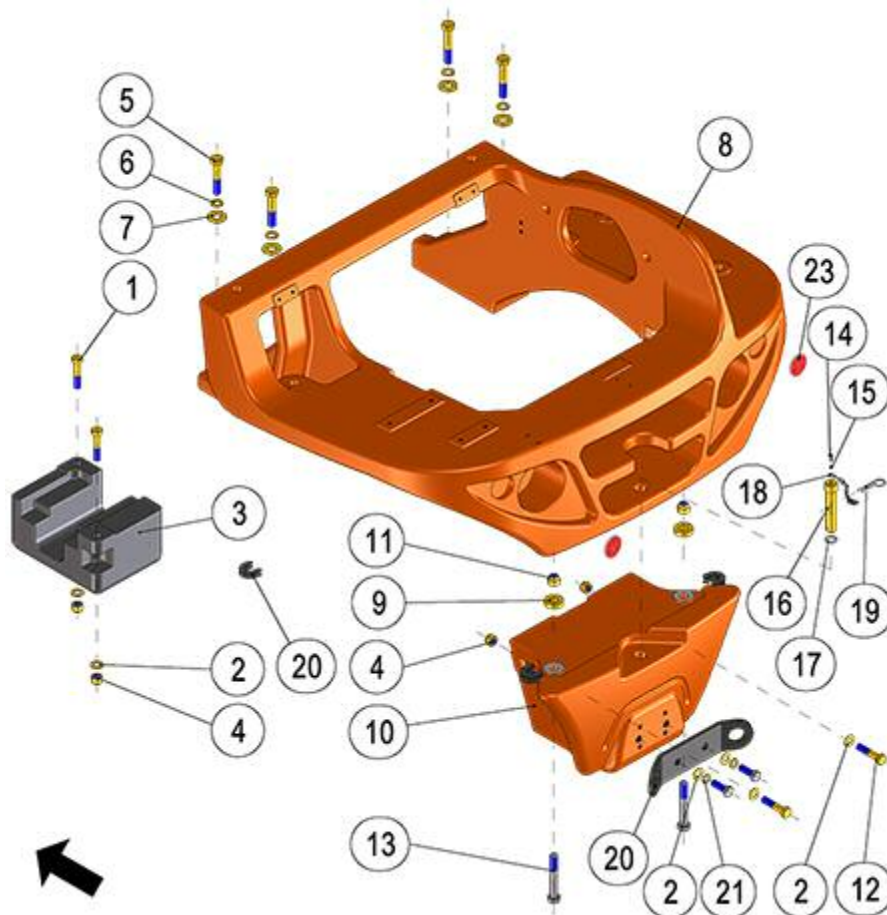


FIGURE	REFERENCE	DENOMINATION	AMOUNT
001	604.16075.86	SCREW DIN931 M16x75	2
002	101.16000.66	WASHER DIN125 D16	4
003	35.08012.00	COUNTERWEIGHT 50KG	1
004	711.16000.66	NUT DIN982 M16 8.8 K	4
005	604.18090.86	SCREW DIN931 M18x90	4
006	104.18000.00	WASHER DIN7980 D18	4
007	15.00561.00	WASHER DIN125 20.5x45x5	6
008	35.08010.03	COUNTERWEIGHT 539KG	1
009	35.08070.00	WASHER	2
010	35.08011.00	COUNTERWEIGHT 218KG	1
011	711.18000.66	NUT DIN982 M18	2
012	604.16070.86	BOLT DIN931 M16x70	2
013	604.18120.86	SCREW DIN931 M18x120	2
014	603.06015.86	SCREW DIN933 M6x15	1
015	701.05000.66	NUT DIN934 M5x0.8	1

016	15.00835.00	AXLE CPA/GRA 25x30x135	1
017	201.02104.50	O-RING DIN3770	1
018	15.00834.00	CHAIN	1
019	15.00836.00	PIN DIN11024 R4	1
020	35.08134.00	SUPPORT	1
021	104.16000.00	CIR-CLIP EXT. DIN7980	2
022	35.08019.00	SUPPLEMENT GALGA 0.5X 23	1
023	70.08028.00	RETROREFLECTOR	2

3521 86695 - XXXX XXXXX

08. BODYWORK / COUNTERWEIGHT

CHASSIS: 88116

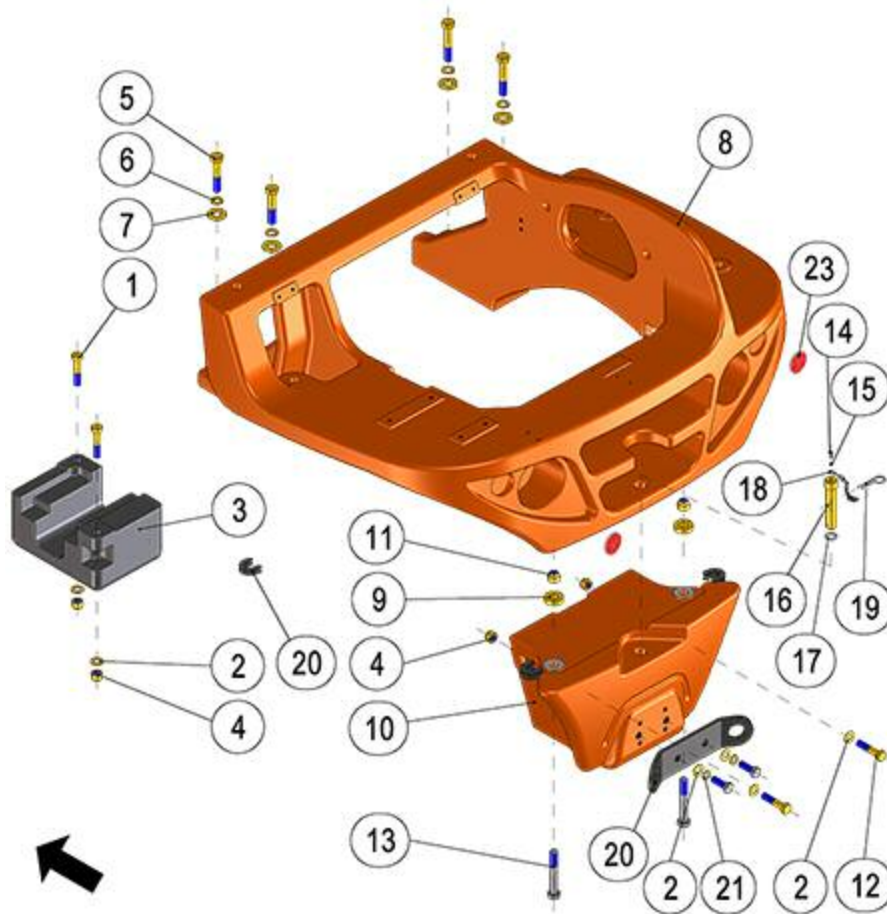


FIGURE	REFERENCE	DENOMINATION	AMOUNT
001	604.16075.86	SCREW DIN931 M16x75	2
002	101.16000.66	WASHER DIN125 D16	4
003	35.08012.00	COUNTERWEIGHT 50KG	1
004	711.16000.66	NUT DIN982 M16 8.8 K	4
005	604.18090.86	SCREW DIN931 M18x90	4
006	104.18000.00	WASHER DIN7980 D18	4
007	15.00561.00	WASHER DIN125 20.5x45x5	6
008	35.08010.03	COUNTERWEIGHT 539KG	1
009	35.08070.00	WASHER	2
010	35.08011.00	COUNTERWEIGHT 218KG	1
011	711.18000.66	NUT DIN982 M18	2
012	604.16070.86	BOLT DIN931 M16x70	2
013	640.18130.86	SCREW	2
014	603.06015.86	SCREW DIN933 M6x15	1

015	701.05000.66	NUT DIN934 M5x0.8	1
016	15.00835.00	AXLE CPA/GRA 25x30x135	1
017	201.02104.50	O-RING DIN3770	1
018	15.00834.00	CHAIN	1
019	15.00836.00	PIN DIN11024 R4	1
020	35.08134.00	SUPPORT	1
021	104.16000.00	CIR-CLIP EXT. DIN7980	2
022	35.08019.00	SUPPLEMENT GALGA 0.5X 23	1
023	70.08028.00	RETROREFLECTOR	2

OBSERVACIONES

PM.00100

3521 86695 - XXXX XXXXX

09. TELESCOPIC ARM / CYLINDERS

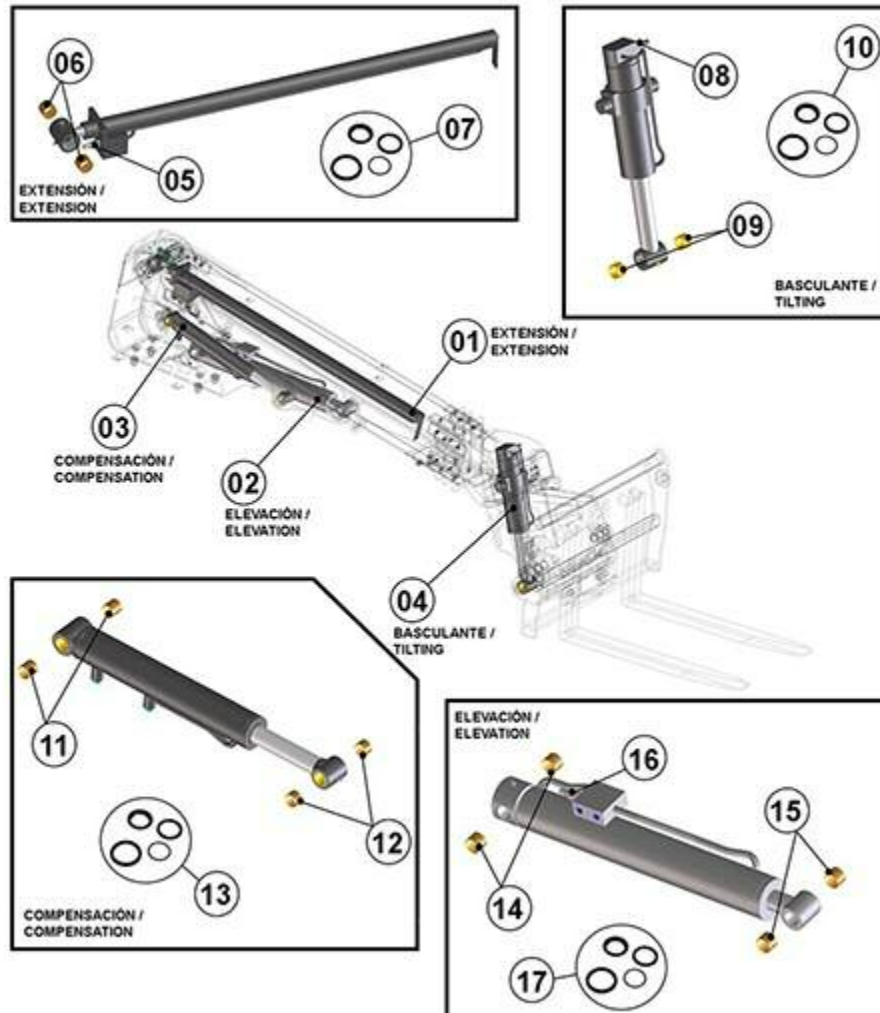


FIGURA	REFERENCIA	DENOMINACIÓN	CANTIDAD
001	35.09502.02	CYLINDER D/E D63.5XD50X1239	1
002	35.09501.01	CYLINDER D/E D90XD50X580	1
003	35.09504.01	CYLINDER D/E D63xD40x335	1
004	35.09503.02	CYLINDER D/E D90XD55X236	1
007	35.09430.02	GASKET KIT (CYL. EXTENSION)	1
009	35.09427.00	BUSHING 40X44X30	2
010	35.09503.91	GASKET KIT (TILITING CYL.)	1
013	35.09410.01	GASKET KIT (COMPENSATION CYL)	1
015	32.95924.00	BUSHING Ø44xØ40x30	2
017	35.09420.01	GASKET KIT (ELEVATION CYL)	1

3521 86695 - XXXX XXXXX

09. TELESCOPIC ARM / STRUCTURE (01)

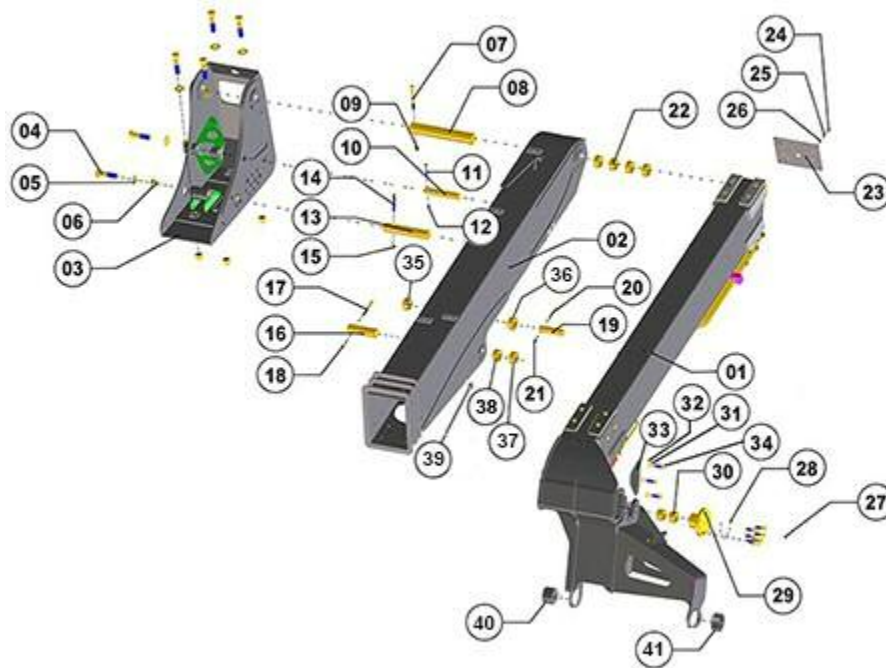


FIGURA	REFERENCIA	DENOMINACIÓN	CANTIDAD
001	35.09700.04	INT. ARM 2341X805X633	1
002	35.09600.02	EXT. ARM 1955X440X248	1
003	35.09500.03	ARM SUPPORT 686X677X315	1
004	604.22090.96	SCREW	2
005	101.22000.66	WASHER DIN125	6
006	720.22000.66	NUT	6
007	604.12110.86	SCREW DIN931 M12x110	1
008	35.09901.00	AXLE D50X323	1
009	711.12000.66	NUT DIN982 M12	1
010	35.09904.00	AXLE D30X177	1
011	604.08060.86	SCREW DIN931 M8x60	1
012	711.08000.66	NUT DIN982 M8	1
013	35.09903.00	AXLE CIL/CPA D40X321	1
014	35.09903.00	AXLE CIL/CPA D40X321	1
015	711.10000.66	SHOCK ABSORBER	1
016	35.09905.00	AXLE D40X147	1

017	604.10090.86	NUT	1
018	711.10000.66	SHOCK ABSORBER	1
019	35.09906.00	AXLE D30X125	1
020	604.08070.86	SCREW DIN931	1
021	711.08000.66	NUT DIN982 M8	1
022	949.05025.00	PLAIN BEARING 50X55X25 DIN 1494	4
023	35.09902.00	PIN SUPPORT 229X149X2	1
024	630.06010.96	SCREW ISO7380 M6X10	4
025	104.06000.00	WASHER DIN7980 D6	4
026	101.06000.66	WASHER DIN125 D6	4
027	901.08000.33	GREASER DIN71412-A M8x1,25	2
028	604.12045.96	SCREW DIN931 M12x45	7
029	35.09910.00	PLANE BEARING D130XD50X67	1
030	949.04530.00	PLAIN BEARING 45X50X30 DIN 1494	2
031	104.08000.00	WASHER DIN7980 D8	3
032	101.08000.66	WASHER DIN125 D8	3
033	35.09622.01	SUPPORT 99X96X3	1
034	630.08025.96	SCREW ISO7380	3
035	35.09614.00	BUSH	1
036	35.09615.00	BUSH	1

3521 86695 - XXXX XXXXX

09. TELESCOPIC ARM / STRUCTURE (01)

FIGURA	REFERENCIA	DENOMINACIÓN	CANTIDAD
037	35.09616.00	BUSH	1
038	35.09617.00	BUSH	1
039	35.09623.00	BUSH	1
040	35.09716.00	BUSH	1
041	35.09717.00	BUSH	1
042	13.08032.00	CAP D 32	1

3521 86695 - XXXX XXXXX

09. TELESCOPIC ARM / STRUCTURE (02)

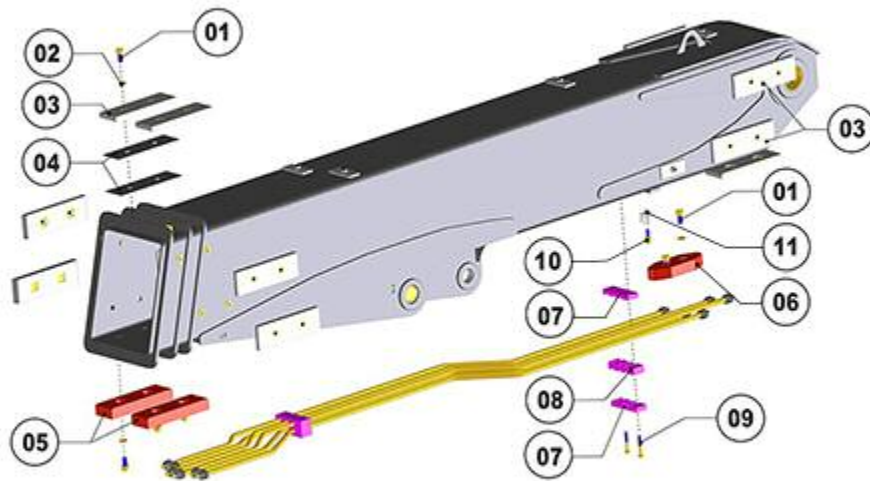


FIGURA	REFERENCIA	DENOMINACIÓN	CANTIDAD
001	601.10020.86	SCREW DIN912 M10x20	30
002	120.00010.66	SAFETY WASHER Ø10	30
003	35.09508.00	PAD + NUTS SET	12
004	32.95051.01	SPACER	30
005	35.09915.00	PAD 180X55X26 & NUTS SET	2
006	35.09920.00	PAD + NUTS SET	1
007	35.09908.00	TUBES CLAMP 85X30X11	4
008	35.09909.00	TUBES CLAMP 85X30X16	2
009	604.06045.86	SCREW DIN931 M6x45	4
010	601.08020.86	SCREW DIN912	1
011	35.09930.00	SPACER BUSHING D8.5XD20X23	1

3521 86695 - XXXX XXXXX

09. TELESCOPIC ARM / PIPES

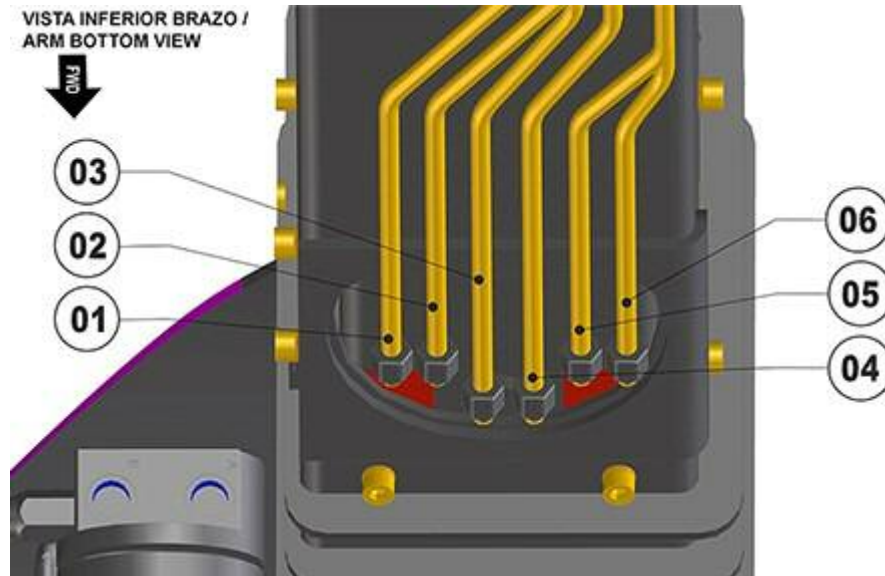


FIGURA	REFERENCIA	DENOMINACIÓN	CANTIDAD
001	35.10295.00	RIGID TUBE 1496 M16X1.5-M16X1.5	1
002	35.10294.00	RIGID TUBE 1459 M16X1.5-M16X1.5	1
003	35.10292.00	RIGID TUBE 1601 M16X1.5-M16X1.5	1
004	35.10291.00	RIGID TUBE 1564 M16X1.5-M16X1.5	1
005	35.10293.00	RIGID TUBE 1384 M16X1.5-M16X1.5	1
006	35.10290.00	RIGID HOSE 1423 M16X1.5-M16X1.5	1

3521 86695 - XXXX XXXXX

09. TELESCOPIC ARM / MANUAL HITCH AUSA

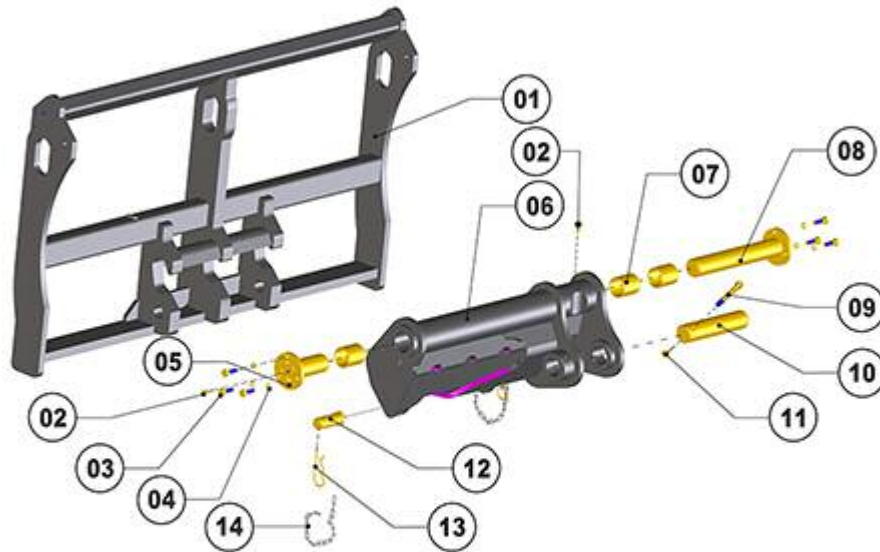


FIGURA	REFERENCIA	DENOMINACIÓN	CANTIDAD
001	35.09300.01	FORK CARRIAGE T133/144	1
002	901.08000.33	GREASER DIN71412-A M8x1,25	2
003	604.08030.86	SCREW DIN931	6
004	104.08000.00	WASHER DIN7980 D8	6
005	35.09912.00	AXLE D40X105XD80	1
006	35.09800.00	LIFTING ROCKER FRAME 572X241X226	1
007	949.04050.00	PLAIN BEARING 40X44X50 DIN 1494	3
008	35.09913.00	AXLE D40X260XD80	1
009	601.10080.86	SCREW DIN 912 M10X80	1
010	35.09911.00	AXLE D40X181	1
011	711.10000.66	SHOCK ABSORBER	1
012	35.09304.00	AXLE 30X25X72	2
013	15.00836.00	PIN DIN11024 R4	2
014	15.00834.00	CHAIN	2

3521 86695 - XXXX XXXXX

09. TELESCOPIC ARM / FORKS

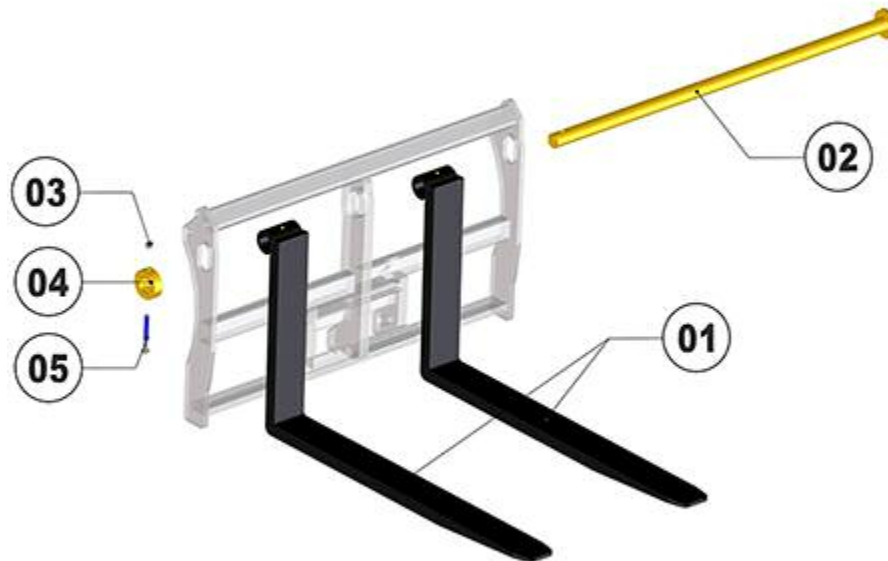


FIGURA	REFERENCIA	DENOMINACIÓN	CANTIDAD
001	35.09320.00	FORK ARM ARTICULATED 10001000	2
002	35.09360.00	FORK JOINT BAR D40.5XD80X30	1
003	711.12000.86	NUT DIN982 M12 C8	1
004	35.09361.00	RING D40,5XD80X30	1
005	604.12100.86	SCREW DIN931 M12x100	1

3521 86695 - XXXX XXXXX

09. TELESCOPIC ARM / ARM SUPPORT

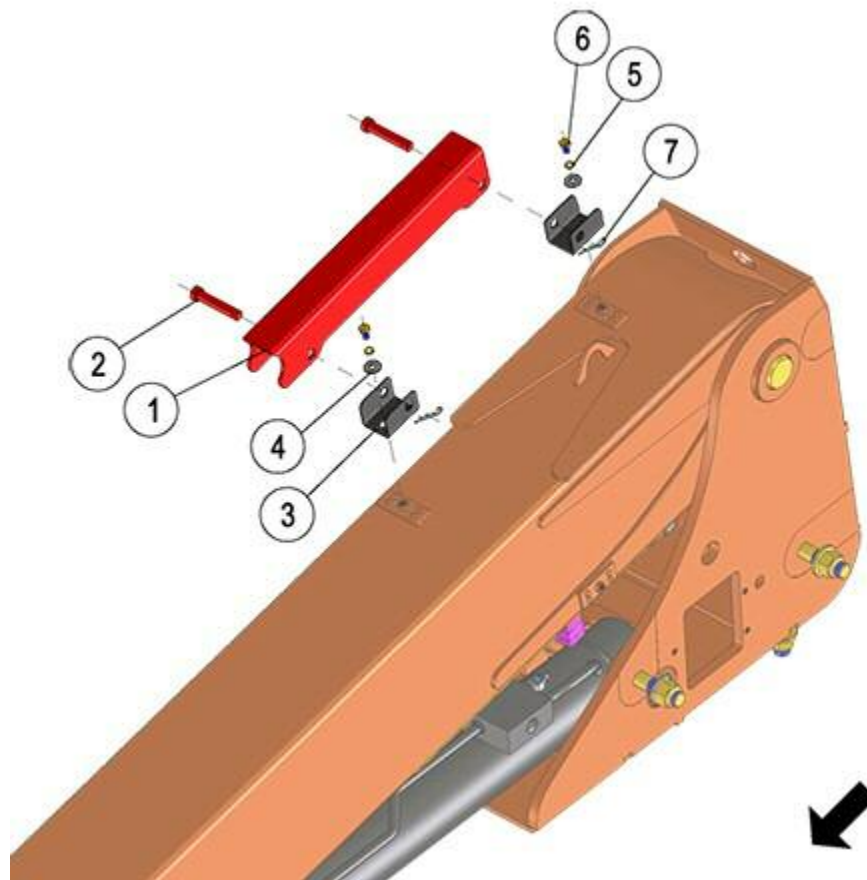


FIGURA	REFERENCIA	DENOMINACIÓN	CANTIDAD
001	35.09507.00	ARM SUPPORT	1
002	35.09510.00	PIN	2
003	35.09506.00	SUPPORT	2
004	112.08000.66	WASHER DIN9021 D8	2
005	104.08000.00	WASHER DIN7980 D8	2
006	603.08015.86	SCREW DIN933 M8x15	2
007	15.00836.03		2

3521 86695 - XXXX XXXXX

10. HYDRAULIC INSTALLATION / CONTROL VALVE

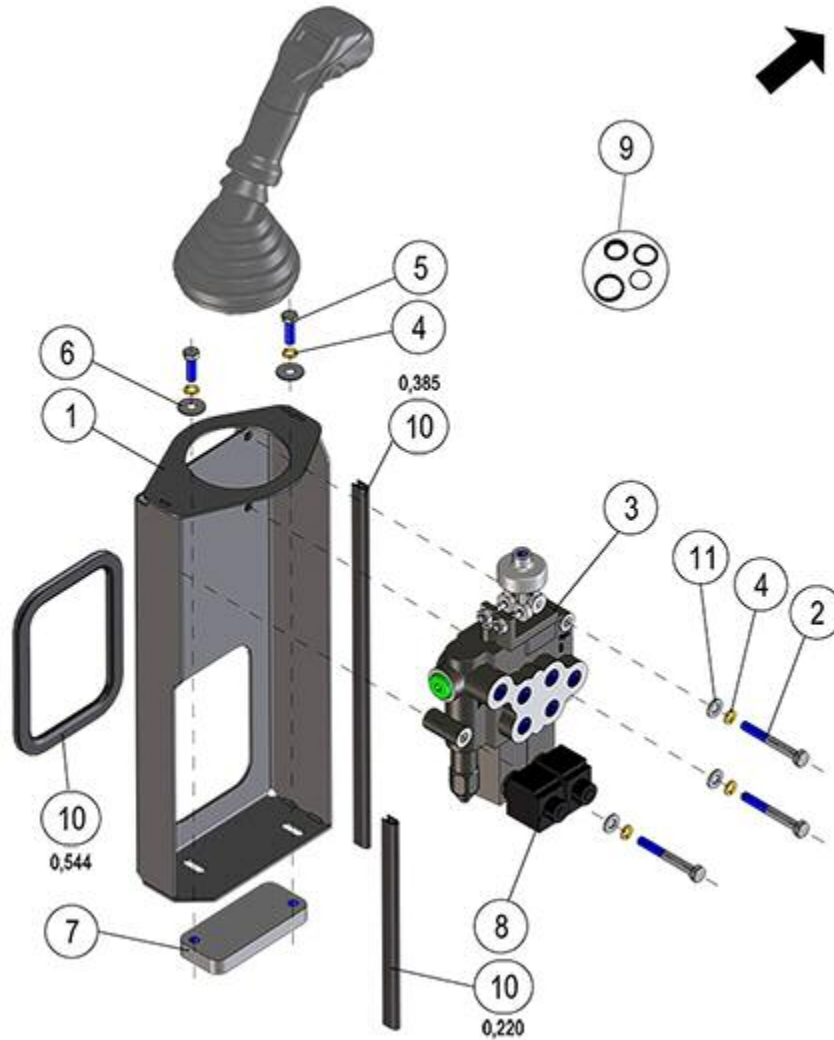


FIGURA	REFERENCIA	DENOMINACIÓN	CANTIDAD
001	35.10310.02	DEALER SUPPORT FIXING	1
002	604.08065.86	SCREW DIN931 M8X65	3
003	35.10031.01	CONTROL VALVE 2E	1
004	104.08000.00	WASHER DIN7980 D8	5
005	603.08025.86	SCREW DIN933 M8x25	2
006	112.08000.66	WASHER DIN9021 D8	2
007	35.04053.00	JOYSTICK SUPPOR	1
008	12.10351.00	COIL 14VDC 1.36A	2
009	RQKD030202C	GASKET KIT	1
010	472.00007.00	RUBBER PROFILE MAT.	1
011	101.08000.66	WASHER DIN125 D8	3

3521 86695 - XXXX XXXXX

10. HYDRAULIC INSTALLATION / CONTROL VALVE

BASTIDOR: 89329

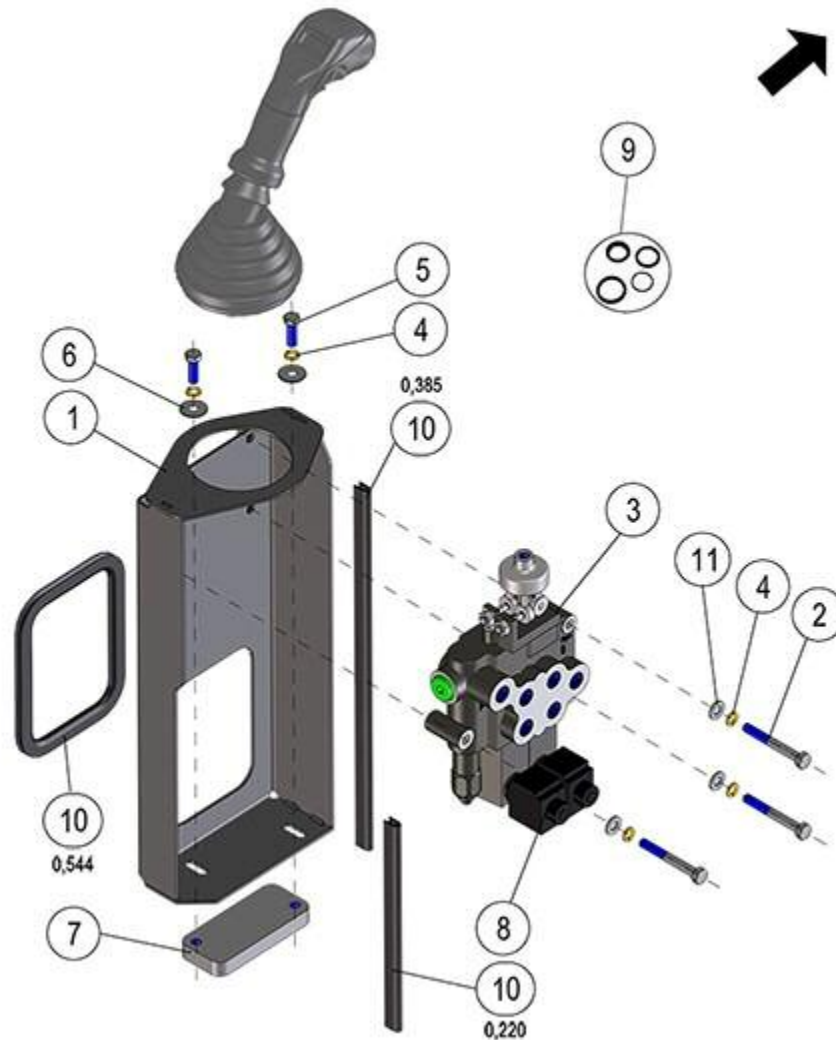


FIGURA	REFERENCIA	DENOMINACIÓN	CANTIDAD
001	35.10310.02	DEALER SUPPORT FIXING	1
002	604.08065.86	SCREW DIN931 M8X65	3
003	35.10031.02	CONTROL VALVE 2E	1
004	104.08000.00	WASHER DIN7980 D8	5
005	603.08025.86	SCREW DIN933 M8x25	2
006	112.08000.66	WASHER DIN9021 D8	2
007	35.04053.00	JOYSTICK SUPPOR	1
008	12.10351.00	COIL 14VDC 1.36A	2
009	RQKD030202C	GASKET KIT	1
010	472.00007.00	RUBBER PROFILE MAT.	1
011	101.08000.66	WASHER DIN125 D8	3

OBSERVACIONES

PM.00088

3521 86695 - XXXX XXXXX

10. HYDRAULIC INSTALLATION / CONTROL VALVE

BASTIDOR: 90426

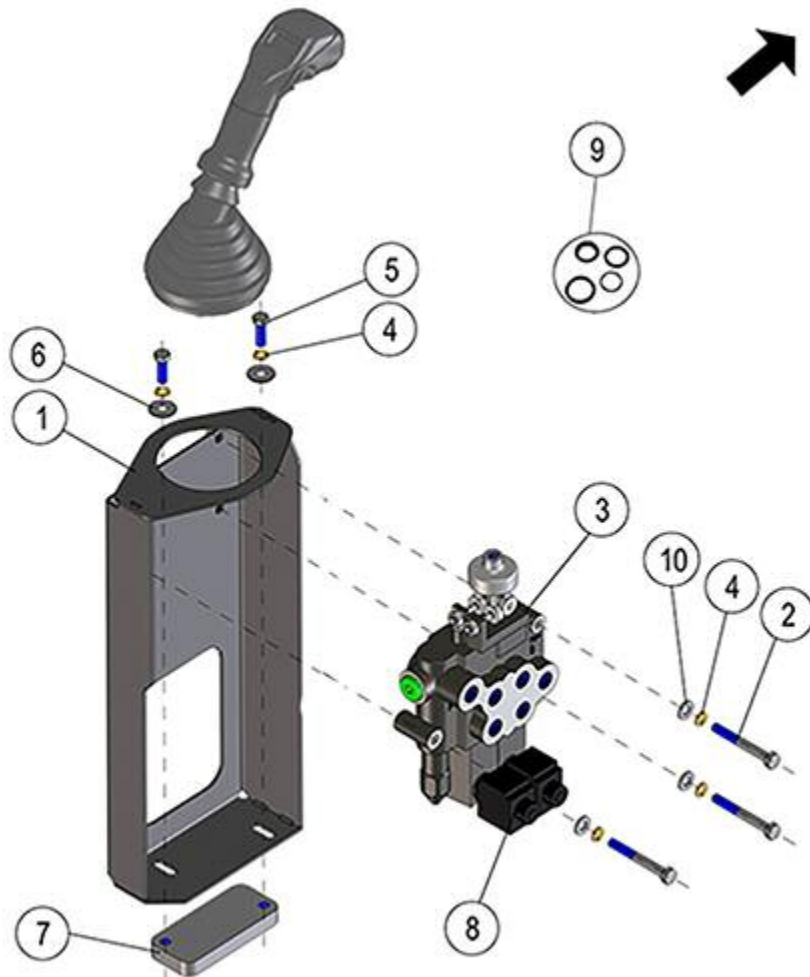


FIGURA	REFERENCIA	DENOMINACIÓN	CANTIDAD
001	35.10310.02	DEALER SUPPORT FIXING	1
002	604.08065.86	SCREW DIN931 M8X65	3
003	35.10031.02	CONTROL VALVE 2E	1
004	104.08000.00	WASHER DIN7980 D8	5
005	603.08025.86	SCREW DIN933 M8x25	2
006	112.08000.66	WASHER DIN9021 D8	2
007	35.04053.00	JOYSTICK SUPPOR	1
008	12.10351.00	COIL 14VDC 1.36A	2
009	RQKD030202C	GASKET KIT	1
010	101.08000.66	WASHER DIN125 D8	3

3521 86695 - XXXX XXXXX

10. HYDRAULIC INSTALLATION / VALVES

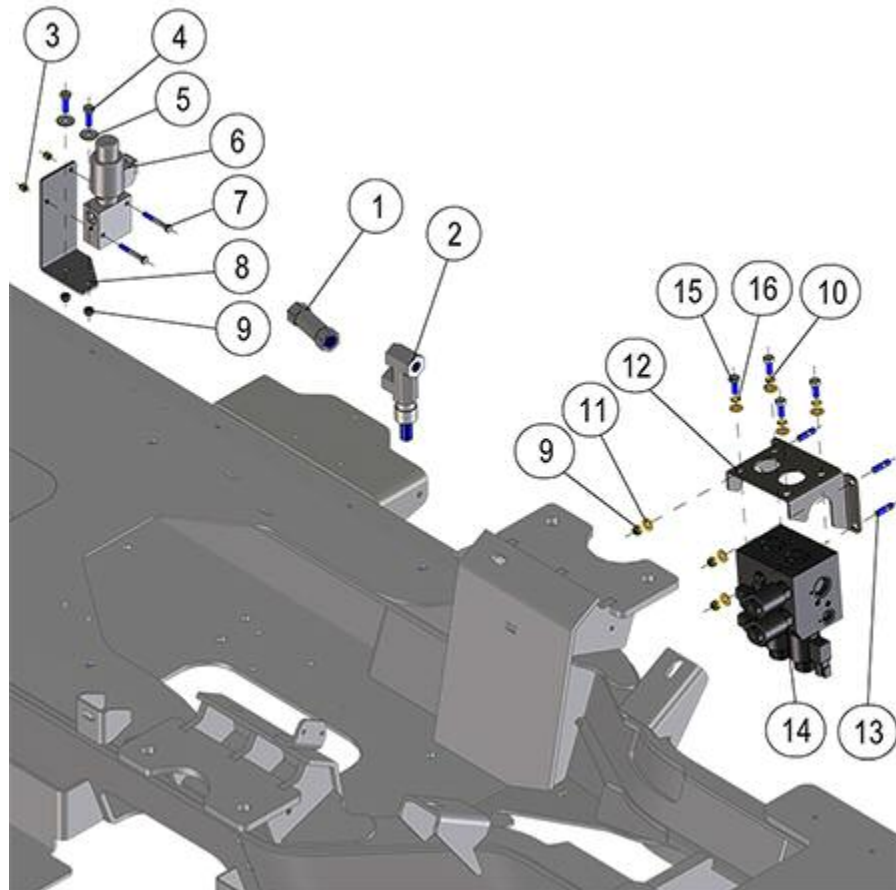


FIGURA	REFERENCIA	DENOMINACIÓN	CANTIDAD
001	52.01450.00	PRESSURE VALVE	1
002	35.10470.00	RELIEF	1
003	711.06000.66	NUT DIN982 M6	2
004	603.08025.86	SCREW DIN933 M8x25	2
005	112.08000.66	WASHER DIN9021 D8	2
006	46.15005.00	3 WAY SELECTOR VALVE DEUTSCH	1
007	604.06045.86	SCREW DIN931 M6x45	2
008	35.10468.00	VALVE SUPPORT 82X150X72	1
009	711.08000.66	NUT DIN982 M8	5
010	711.06000.66	NUT DIN982 M6	2
011	101.08000.66	WASHER DIN125 D8	7
012	35.10466.01	HYDRAULIC BLOCK ENSEMBLE SUPPORT	1
013	43.50166.00	STUD.M8X1.25X30	3
014	35.10467.00	HYDRAULIC BLOCK ENSEMBLE	1
015	603.08020.86	SCREW DIN933 M8x20	4
016	104.08000.00	WASHER DIN7980 D8	4

3521 86695 - XXXX XXXXX

10. HYDRAULIC INSTALLATION / HYDRAULIC TANK

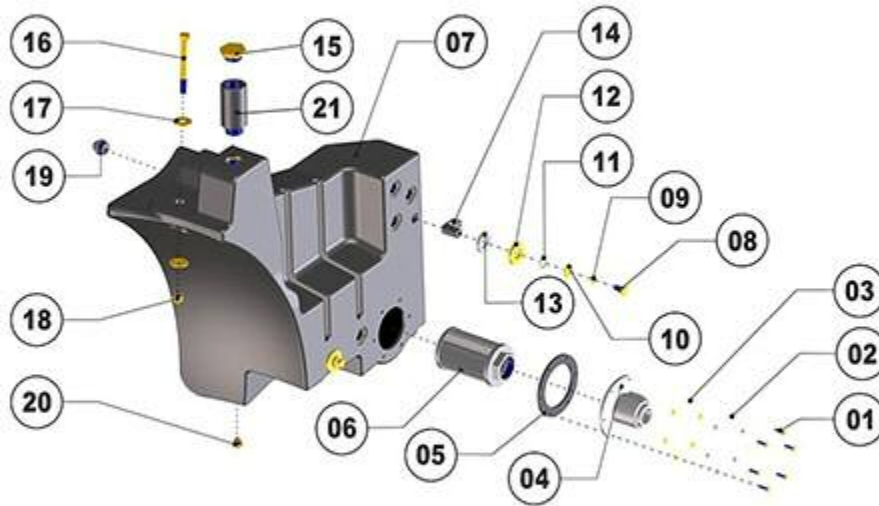


FIGURA	REFERENCIA	DENOMINACIÓN	CANTIDAD
001	603.05020.86	SCREW DIN933 M5x20	6
002	104.05000.00	WASHER DIN7980 D5	6
003	101.05000.66	WASHER DIN125 D5	6
004	43.70406.00	AD. FILTER SUPPORT	1
005	32.10150.00	FULL ELECTROVALVE BLOCK	1
006	35.10051.00	OIL FILTER 100 L / MIN	1
007	35.10050.00	OIL TANK 32L.	1
008	603.10020.86	SCREW DIN933 M10x20	2
009	104.10000.00	WASHER DIN7980 D10	2
010	112.10000.66	WASHER DIN9021 D10	2
011	904.20000.00	RING 0,5 MM.	2
012	15.00561.00	WASHER DIN125 20.5x45x5	2
013	10.00634.00	CIR-CLIP EXT. DIN7980	2
014	64.10122.00	BUSH 32x30	2
015	33.10052.00	SCREW ISO7380	1
016	604.12120.86	SCREW DIN931	1

017	112.12000.66	WASHER DIN9021 D 12X36	2
018	711.12000.86	NUT DIN982 M12 C8	1
019	17.10052.00	OPTICAL LEVEL	1
020	80.01035.01	CAP	1
021	35.10084.00	PIPE D25D50D132	1

3521 86695 - XXXX XXXXX

10. HYDRAULIC INSTALLATION / OIL FILTER

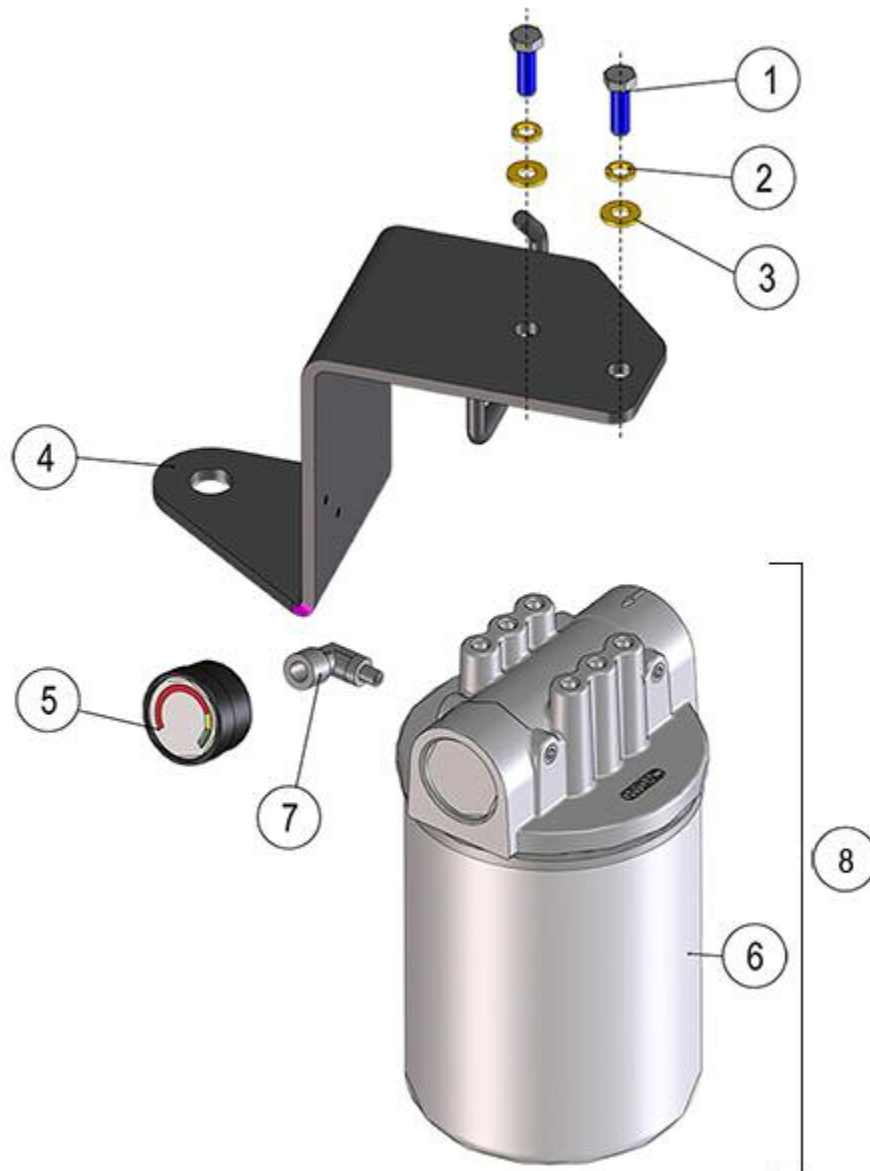


FIGURA	REFERENCIA	DENOMINACIÓN	CANTIDAD
001	603.08025.86	SCREW DIN933 M8x25	2
002	104.08000.00	WASHER DIN7980 D8	2
003	101.08000.66	WASHER DIN125 D8	2
004	35.10312.02	ARTICULATED SUPPORT 230X110X140	1
005	70.10049.00	DEPRESSION INDICATOR	1
006	70.10048.00	OIL FILTER CARTRIDGE (1000h+50h)	1
007	10.02144.00	ELBOW C90M/H NIPPLE	1
008	70.10051.00	COMPLETE OIL FILTER ASSY	1

3521 86695 - XXXX XXXXX

10. HYDRAULIC INSTALLATION / SERVICE DIAGRAM

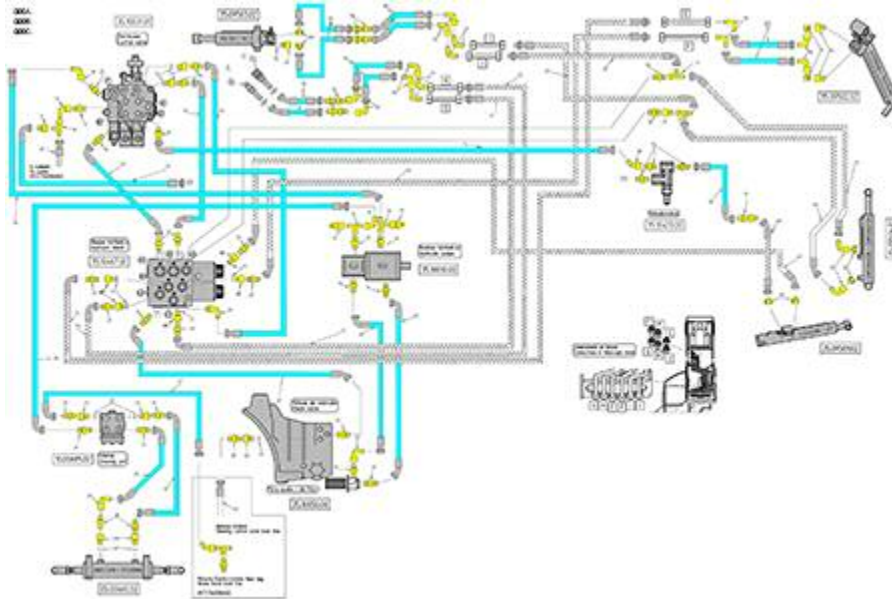


FIGURA	REFERENCIA	DENOMINACIÓN	CANTIDAD
000A	35.10850.00	ACTIVATION PIPING SET T144H	1
000A.1	45.01423.00	GASKET	1
000A.10	48.10451.00	RACOR C90M/TL M18X1,5	1
000A.11	48.10437.00	FITTING	1
000A.12	70.10222.00	FITTING M/M M18x3/8BSP	1
000A.13	70.10253.00	FITTING	1
000A.14	20.10298.00	ACOP. MAN. M18X1.5	1
000A.15	08.00317.00	METALLIC GASKET BUNA D3/8	2
000A.16	46.10411.00	FITTING	1
000A.17	46.58083.00	GASKET MET. BUNA	1
000A.19	70.10222.00	FITTING M/M M18x3/8BSP	4
000A.2	46.10839.00	FITTING	1
000A.20	70.10253.00	FITTING	1
000A.21	10.01353.00	NIPPLE M/H	2
000A.22	08.00316.00	METALLIC GASKET BUNA D1/2 G	2
000A.23	39.05924.00	FITTING	2
000A.24	70.10229.00	FITTING	4
000A.3	47.01476.00	FITTING M/M M30X2-M22X1,5	1
000A.37	64.10308.00	ELBOW C90M/TL NIPPLE M18X1.5	1
000A.38	70.10238.00	NIPPLE M/M M18X1,5 - 1/4GAS	2
000A.4	64.10336.00	FITTING	1
000A.45	35.10851.00	HOSE	1

000A.46	35.10852.00	HOSE	1
000A.47	35.10853.00	HOSE	1
000A.48	35.10854.00	HOSE	1
000A.49	35.10209.01	HOSE	1
000A.5	70.10207.00	FITTING	2
000A.54	35.10860.00	HOSE	1
000A.6	48.10223.00	FITTING	1
000A.62	35.10246.00	TUBE R1T5/8 TL-C90 M26X1,5 430	1
000A.63	35.10869.00	HOSE	1
000A.7	70.10229.00	FITTING	1
000A.74	46.58113.00	RACOR FORT M/TL/M M18	1
000A.75	48.10433.00	FITTING	1
000A.76	46.10911.00	FITTING	1
000A.77	64.10226.00	FITTING	1

3521 86695 - XXXX XXXXX

10. HYDRAULIC INSTALLATION / SERVICE DIAGRAM

FIGURA	REFERENCIA	DENOMINACIÓN	CANTIDAD
000A.8	70.10234.00	FITTING	1
000A.86	42.00508.00	NIPPLE M/H	2
000A.87	28.00341.00	METALLIC GASKET BUNA D1/4	2
000A.9	17.10109.00	RACOR M/TL M18X1.5-M26X1.5	1
000B	35.10810.00	ARM PIPING SET T144H	1
000B.78	48.10109.00	FITTING	4
000B.79	48.10264.00	RACOR C90M/M -M16X1,5	6
000B.80	64.10311.00	GASKET MET. BUNA	2
000B.81	70.10232.00	FITTING C90M/M M16-1.5x1/4BSP	2
000B.82	35.10811.00	HOSE	1
000B.83	35.10812.00	HOSE	1
000B.84	35.10813.00	HOSE	2
000B.85	35.10814.00	TUBE	2
000B.92	08.00317.00	METALLIC GASKET BUNA D3/8	1
000B.93	10.01353.00	NIPPLE M/H	1
000B.94	28.00338.00	NIPPLE M/H	2
000B.95	46.10410.00	FITTING	8
000C	35.10800.00	BLOCK ACTIVATION PIPING SET	1
000C.25	48.10122.00	FITTING M / MM M18x1.5 TL / TL M22	1
000C.26	48.10235.00	RACOR M/M -1/2"BSP / M22X1,5	1

000C.28	48.10442.00	"RACOR C90MO/M 3/8" BSP / M18X1"	1
000C.29	48.10836.00	RACOR M/M MB 3/8 BSP - MM M18L	2
000C.31	70.10223.00	FITTING M/M/TL M18x1,5	2
000C.32	70.10229.00	FITTING	1
000C.33	70.10251.00	FITTING	1
000C.34	70.10255.00	FITTING	1
000C.35	48.10451.00	RACOR C90M/TL M18X1,5	2
000C.36	48.10934.00	FITTING	2
000C.40	28.00338.00	NIPPLE M/H	5
000C.41	48.10332.00	RACOR M/M 1/4 BSP - M18X1.5	5
000C.50	35.10856.01	HOSE	1
000C.51	35.10808.00	HOSE	1
000C.52	35.10858.01	HOSE	1
000C.53	35.10859.01	HOSE	1
000C.61	35.10867.01	HOSE	1
000C.64	35.10870.01	HOSE	1

3521 86695 - XXXX XXXXX

10. HYDRAULIC INSTALLATION / SERVICE DIAGRAM

FIGURA	REFERENCIA	DENOMINACIÓN	CANTIDAD
000C.65	35.10871.01	HOSE	1
000C.66	35.10872.01	HOSE	1
000C.67	35.10873.01	HOSE	1
000C.68	35.10874.01	HOSE	1
000C.69	35.10875.01	HOSE	1
000C.70	35.10876.01	HOSE	1
000C.71	35.10877.01	HOSE	1
000C.72	35.10878.01	HOSE	1
000C.73	35.10879.01	HOSE	1
000C.74	35.10883.00	HOSE	1
000C.75	35.10884.00	HOSE	1
000C.81	48.10287.00	FITTING	1
000C.82	48.10836.00	RACOR M/M MB 3/8 BSP - MM M18L	3
000C.90	32.10078.00	RACOR C90MO/M 1/2"G-M22X1,5	2

3521 86695 - XXXX XXXXX

10. HYDRAULIC INSTALLATION / SERVICE DIAGRAM

BASTIDOR: 89098

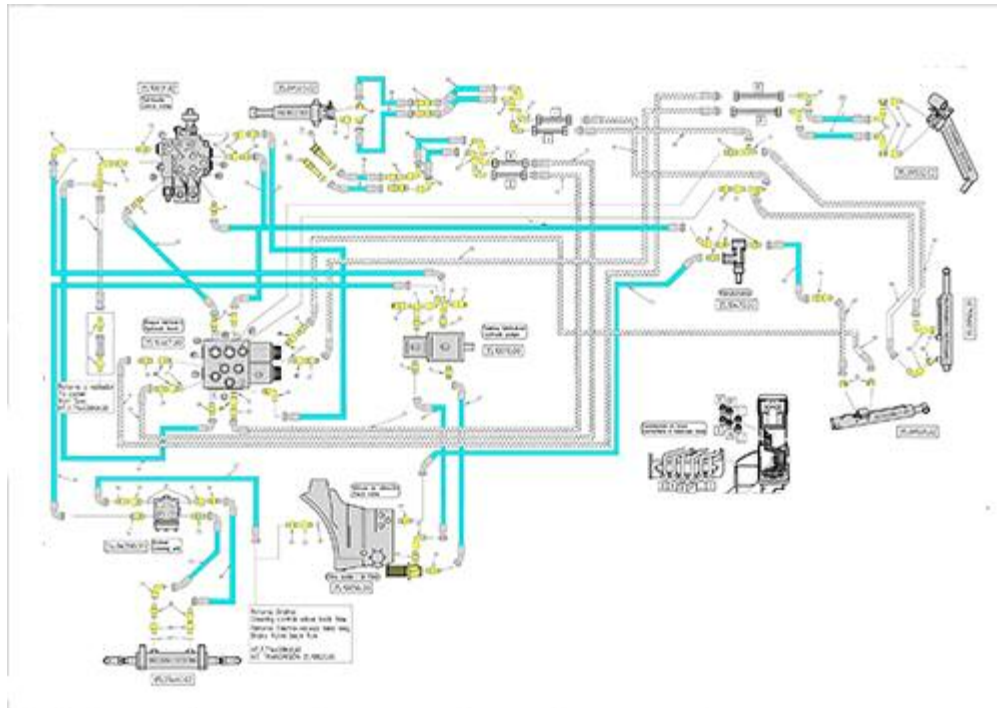


FIGURA	REFERENCIA	DENOMINACIÓN	CANTIDAD
000A	35.10850.01	ACTIVATION PIPING SET	1
000A.1	45.01423.00	GASKET	1
000A.10	48.10451.00	RACOR C90M/TL M18X1,5	1
000A.11	48.10437.00	FITTING	1
000A.12	70.10222.00	FITTING M/M M18x3/8BSP	1
000A.13	70.10253.00	FITTING	1
000A.14	20.10298.00	ACOP. MAN. M18X1.5	1
000A.15	08.00317.00	METALLIC GASKET BUNA D3/8	2
000A.16	46.10411.00	FITTING	1
000A.17	46.58083.00	GASKET MET. BUNA	1
000A.19	70.10222.00	FITTING M/M M18x3/8BSP	4
000A.2	46.10839.00	FITTING	1
000A.20	70.10253.00	FITTING	1
000A.21	10.01353.00	NIPPLE M/H	2
000A.22	08.00316.00	METALLIC GASKET BUNA D1/2 G	2
000A.23	39.05924.00	FITTING	2
000A.24	70.10229.00	FITTING	4
000A.3	47.01476.00	FITTING M/M M30X2-M22X1,5	1
000A.37	64.10308.00	ELBOW C90M/TL NIPPLE M18X1.5	1

000A.38	70.10238.00	NIPPLE M/M M18X1,5 - 1/4GAS	2
000A.4	64.10336.00	FITTING	1
000A.45	35.10851.00	HOSE	1
000A.46	35.10852.00	HOSE	1
000A.47	35.10853.00	HOSE	1
000A.48	35.10854.00	HOSE	1
000A.49	35.10209.01	HOSE	1
000A.5	70.10207.00	FITTING	2
000A.54	35.10860.00	HOSE	1
000A.6	48.10223.00	FITTING	1
000A.62	35.10246.00	TUBE R1T5/8 TL-C90 M26X1,5 430	1
000A.63	35.10869.00	HOSE	1
000A.7	70.10229.00	FITTING	1
000A.74	46.58113.00	RACOR FORT M/TL/M M18	1
000A.75	48.10433.00	FITTING	1
000A.76	46.10911.00	FITTING	1
000A.77	64.10226.00	FITTING	1

3521 86695 - XXXX XXXXX

10. HYDRAULIC INSTALLATION / SERVICE DIAGRAM

BASTIDOR: 89098

FIGURA	REFERENCIA	DENOMINACIÓN	CANTIDAD
000A.8	70.10234.00	FITTING	1
000A.86	42.00508.00	NIPPLE M/H	2
000A.87	28.00341.00	METALLIC GASKET BUNA D1/4	2
000A.9	17.10109.00	RACOR M/TL M18X1.5-M26X1.5	1
000B	35.10810.00	ARM PIPING SET T144H	1
000B.78	48.10109.00	FITTING	4
000B.79	48.10264.00	RACOR C90M/M -M16X1,5	6
000B.80	64.10311.00	GASKET MET. BUNA	2
000B.81	70.10232.00	FITTING C90M/M M16-1.5x1/4BSP	2
000B.82	35.10811.00	HOSE	1
000B.83	35.10812.00	HOSE	1
000B.84	35.10813.00	HOSE	2
000B.85	35.10814.00	TUBE	2
000B.92	08.00317.00	METALLIC GASKET BUNA D3/8	1
000B.93	10.01353.00	NIPPLE M/H	1
000B.94	28.00338.00	NIPPLE M/H	2
000B.95	46.10410.00	FITTING	8

000C	35.10800.01	ACTIVATION PIPING SET	1
000C	35.10800.01	ACTIVATION PIPING SET	1
000C.25	48.10122.00	FITTING M / MM M18x1.5 TL / TL M22	1
000C.26	48.10235.00	RACOR M/M -1/2"BSP / M22X1,5	1
000C.28	48.10442.00	"RACOR C90MO/M 3/8""BSP / M18X1"	1
000C.29	48.10836.00	RACOR M/M MB 3/8 BSP - MM M18L	2
000C.31	70.10223.00	FITTING M/M/TL M18x1,5	2
000C.32	70.10229.00	FITTING	1
000C.33	70.10251.00	FITTING	1
000C.34	70.10255.00	FITTING	1
000C.35	48.10451.00	RACOR C90M/TL M18X1,5	2
000C.36	48.10934.00	FITTING	2
000C.40	28.00338.00	NIPPLE M/H	5
000C.41	48.10332.00	RACOR M/M 1/4 BSP - M18X1.5	5
000C.50	35.10856.01	HOSE	1
000C.51	35.10808.00	HOSE	1
000C.52	35.10858.01	HOSE	1
000C.53	35.10859.01	HOSE	1
000C.61	35.10867.01	HOSE	1

3521 86695 - XXXX XXXXX

10. HYDRAULIC INSTALLATION / SERVICE DIAGRAM

BASTIDOR: 89098

FIGURA	REFERENCIA	DENOMINACIÓN	CANTIDAD
000C.64	35.10870.01	HOSE	1
000C.65	35.10871.01	HOSE	1
000C.66	35.10872.01	HOSE	1
000C.67	35.10873.01	HOSE	1
000C.68	35.10874.01	HOSE	1
000C.69	35.10875.01	HOSE	1
000C.70	35.10876.01	HOSE	1
000C.71	35.10877.01	HOSE	1
000C.72	35.10878.01	HOSE	1
000C.73	35.10879.01	HOSE	1
000C.74	35.10883.00	HOSE	1
000C.75	35.10884.00	HOSE	1
000C.81	48.10287.00	FITTING	1
000C.82	48.10836.00	RACOR M/M MB 3/8 BSP - MM M18L	3
000C.90	32.10078.00	RACOR C90MO/M 1/2"G-M22X1,5	2

OBSERVACIONES

PM.00092

3521 86695 - XXXX XXXXX

10. HYDRAULIC INSTALLATION / TRANSMISSION DIAGRAM

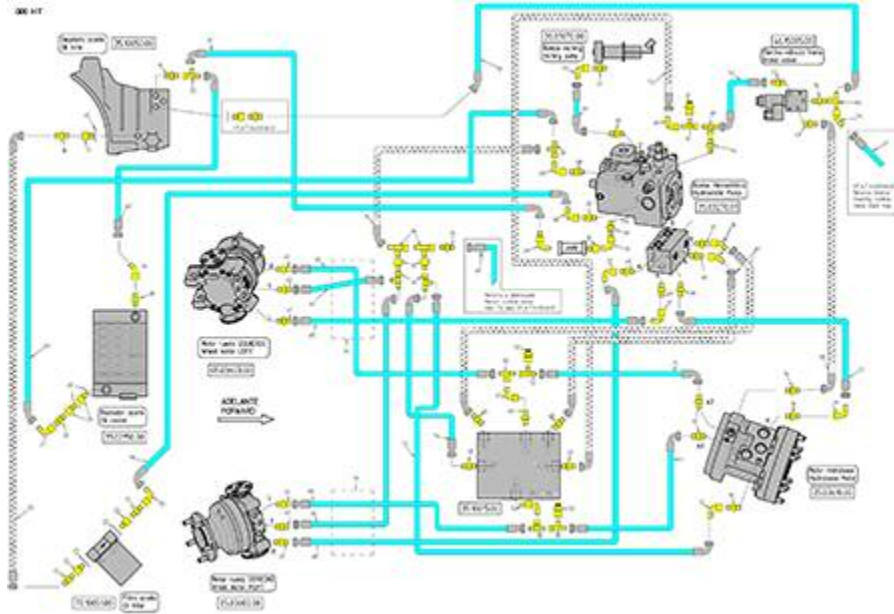


FIGURA	REFERENCIA	DENOMINACIÓN	CANTIDAD
000	35.10820.00	TRANSMISSION PIPING SET T144H	1
001	48.10435.00	FITTING	1
002	46.10835.00	FITTING	1
003	46.58004.00	FITTING	1
004	48.10028.00	FITTING	1
005	12.10307.00	FITTING	1
006	57.10311.00	FITTING	1
007	70.10258.00	FITTING	1
008	35.10104.00	FITTING	1
009	48.10439.00	FITTING	1
010	46.10401.00	FITTING	1
011	46.10402.00	COUPLING	1
012	46.10411.00	FITTING	1
013	46.10824.00	FITTING	2
014	48.10378.00	FITTING	1
015	70.10253.00	FITTING	1
016	70.10230.00	FITTING	1
017	43.60233.91	FITTING	1
018	57.10343.00	FITTING	1
019	70.10207.00	FITTING	1
020	70.10234.00	FITTING	1
021	12.10301.00	FITTING	2

022	32.10090.00	FITTING	2
023	52.00317.00	GASKET	2
024	46.10450.00	FITTING	1
025	48.10439.00	FITTING	1
026	43.60233.91	FITTING	2
027	46.58004.00	FITTING	1
028	57.10307.00	FITTING	2
029	20.10268.00	FITTING	1
030	48.10317.00	FITTING	2
031	46.58132.00	FITTING	1
032	20.10555.00	FITTING	2
033	46.10411.00	FITTING	1
034	46.10911.00	FITTING	2
035	46.58062.00	FITTING	1

3521 86695 - XXXX XXXXX

10. HYDRAULIC INSTALLATION / TRANSMISSION DIAGRAM

FIGURA	REFERENCIA	DENOMINACIÓN	CANTIDAD
036	57.10311.00	FITTING	2
037	46.10411.00	FITTING	2
038	46.10839.00	FITTING	1
039	70.10207.00	FITTING	1
040	70.10251.00	FITTING	4
041	46.10824.00	FITTING	4
042	70.10253.00	FITTING	2
043	48.10378.00	FITTING	2
044	57.10317.00	FITTING	1
045	45.01423.00	GASKET	3
046	46.10410.00	FITTING	1
047	46.10411.00	FITTING	1
048	46.10824.00	FITTING	4
049	46.10825.00	FITTING	1
050	46.10881.00	FITTING	2
051	46.10911.00	FITTING	2
052	64.10226.00	FITTING	2
053	20.10268.00	FITTING	1
054	35.10270.00	SPIRAL PLASTIC COVER	2
055	35.10821.01	FITTING	1

056	35.10822.00	HOSE	1
057	35.10823.00	FITTING	1
058	35.10824.00	FITTING	1
059	35.10825.00	FITTING	1
060	35.10826.00	FITTING	1
061	35.10827.00	FITTING	1
062	35.10828.00	FITTING	1
063	35.10829.00	FITTING	1
064	35.10830.00	FITTING	2
065	35.10831.00	FITTING	1
066	35.10832.00	FITTING	1
067	35.10833.00	FITTING	1
068	35.10834.00	FITTING	1
069	35.10835.00	FITTING	1
070	35.10836.00	FITTING	1
071	35.10837.00	FITTING	2

3521 86695 - XXXX XXXXX

10. HYDRAULIC INSTALLATION / TRANSMISSION DIAGRAM

FIGURA	REFERENCIA	DENOMINACIÓN	CANTIDAD
072	35.10838.00	FITTING	1
073	35.10839.00	FITTING	1
074	35.10840.00	FITTING	1
075	35.10841.00	FITTING	1
076	35.10842.00	FITTING	1
078	35.10195.00	FITTING	1
079	48.10139.00	FITTING	1
080	70.10258.00	FITTING	1

3521 86695 - XXXX XXXXX

10. HYDRAULIC INSTALLATION / TRANSMISSION DIAGRAM

BASTIDOR: 89098

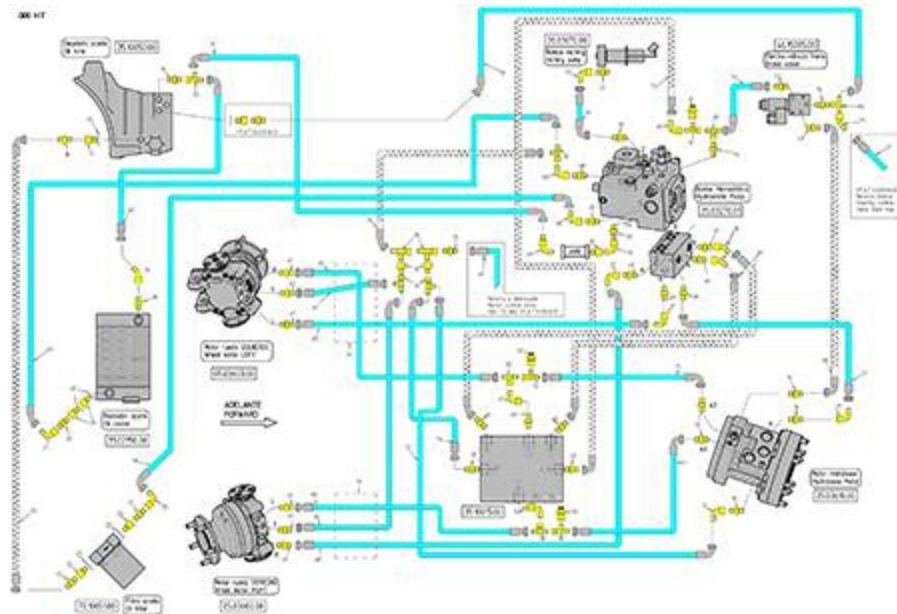


FIGURA	REFERENCIA	DENOMINACIÓN	CANTIDAD
000	35.10820.01	TRANSMISSION PIPING SET	1
001	48.10435.00	FITTING	1
002	46.10835.00	FITTING	1
003	46.58004.00	FITTING	1
004	48.10028.00	FITTING	1
005	12.10307.00	FITTING	1
006	57.10311.00	FITTING	1
007	70.10258.00	FITTING	1
008	35.10104.00	FITTING	1
009	48.10439.00	FITTING	1
010	46.10401.00	FITTING	1
011	46.10402.00	COUPLING	1
012	46.10411.00	FITTING	1
013	46.10824.00	FITTING	2
014	48.10378.00	FITTING	1
015	70.10253.00	FITTING	1
016	70.10230.00	FITTING	1
017	43.60233.91	FITTING	1
018	57.10343.00	FITTING	1
019	70.10207.00	FITTING	1
020	70.10234.00	FITTING	1

021	12.10301.00	FITTING	2
022	32.10090.00	FITTING	2
023	52.00317.00	GASKET	2
024	46.10450.00	FITTING	1
025	48.10439.00	FITTING	1
026	43.60233.91	FITTING	2
027	46.58004.00	FITTING	1
028	57.10307.00	FITTING	2
029	20.10268.00	FITTING	1
030	48.10317.00	FITTING	2
031	46.58132.00	FITTING	1
032	20.10555.00	FITTING	2
033	46.10411.00	FITTING	1
034	46.10911.00	FITTING	2
035	46.58062.00	FITTING	1

3521 86695 - XXXX XXXXX

10. HYDRAULIC INSTALLATION / TRANSMISSION DIAGRAM

BASTIDOR: 89098

FIGURA	REFERENCIA	DENOMINACIÓN	CANTIDAD
036	57.10311.00	FITTING	2
037	46.10411.00	FITTING	2
038	46.10839.00	FITTING	1
039	70.10207.00	FITTING	1
040	70.10251.00	FITTING	4
041	46.10824.00	FITTING	4
042	70.10253.00	FITTING	2
043	48.10378.00	FITTING	2
044	57.10317.00	FITTING	1
045	45.01423.00	GASKET	3
046	46.10410.00	FITTING	1
047	46.10411.00	FITTING	1
048	46.10824.00	FITTING	4
049	46.10825.00	FITTING	1
050	46.10881.00	FITTING	2
051	46.10911.00	FITTING	2
052	64.10226.00	FITTING	2
053	20.10268.00	FITTING	1
054	35.10270.00	SPIRAL PLASTIC COVER	2

055	35.10821.01	FITTING	1
056	35.10822.00	HOSE	1
057	35.10823.00	FITTING	1
058	35.10824.00	FITTING	1
059	35.10825.00	FITTING	1
060	35.10826.00	FITTING	1
061	35.10827.00	FITTING	1
062	35.10828.00	FITTING	1
063	35.10829.00	FITTING	1
064	35.10830.00	FITTING	2
065	35.10831.00	FITTING	1
066	35.10832.00	FITTING	1
067	35.10833.00	FITTING	1
068	35.10834.00	FITTING	1
069	35.10835.00	FITTING	1
070	35.10836.00	FITTING	1
071	35.10837.00	FITTING	2

3521 86695 - XXXX XXXXX

10. HYDRAULIC INSTALLATION / TRANSMISSION DIAGRAM

BASTIDOR: 89098

FIGURA	REFERENCIA	DENOMINACIÓN	CANTIDAD
072	35.10838.00	FITTING	1
073	35.10839.00	FITTING	1
074	35.10840.00	FITTING	1
075	35.10841.00	FITTING	1
076	35.10842.00	FITTING	1
078	35.10195.00	FITTING	1
079	48.10139.00	FITTING	1
080	70.10258.00	FITTING	1

OBSERVACIONES

PM.00092

3521 86695 - XXXX XXXXX

11. ELECTRIC INSTALLATION / FLASHING BEACON

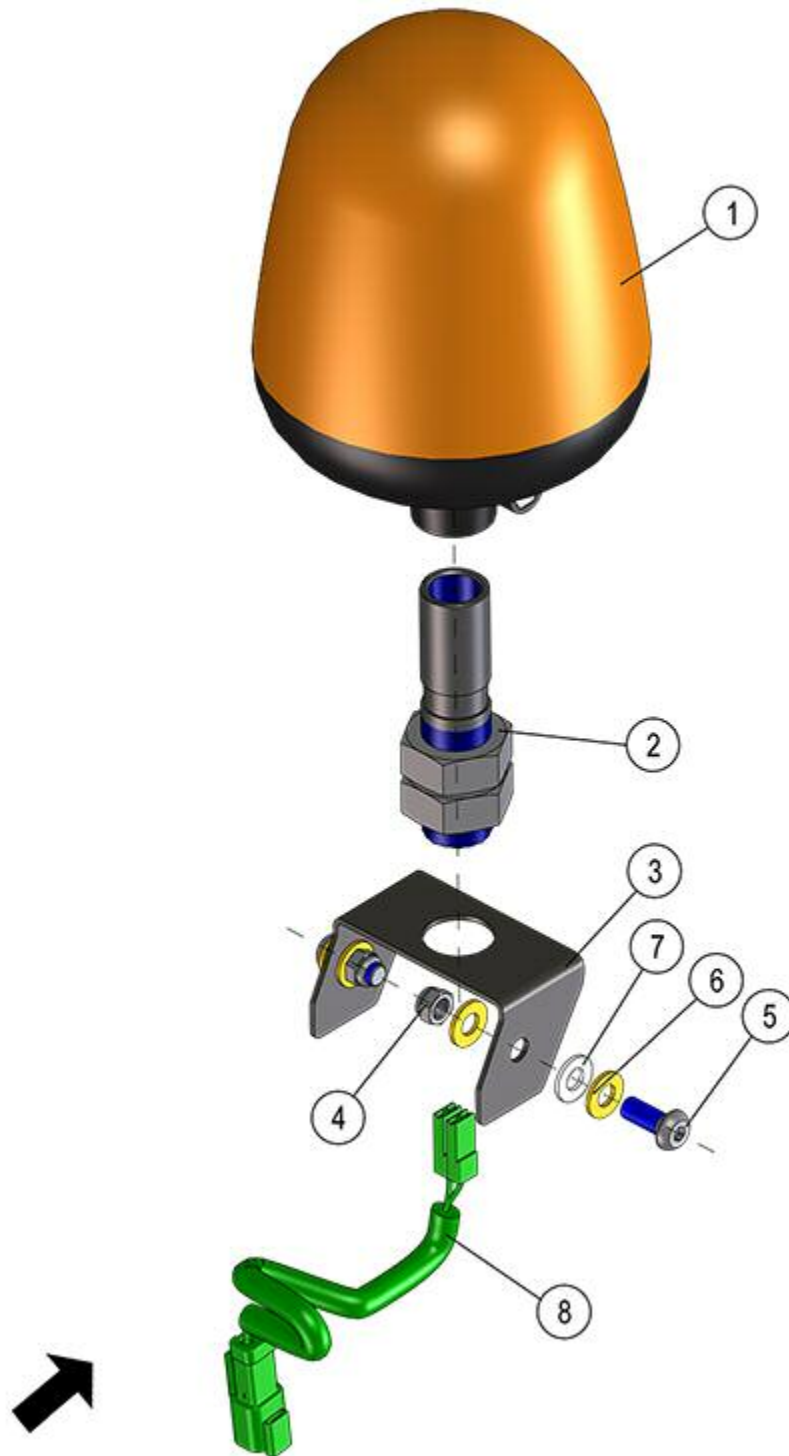


FIGURA	REFERENCIA	DENOMINACIÓN	CANTIDAD
001	01.00912.00	BEACON	1
002	24.11200.00	SUPPORT	1
003	35.11150.00	FIXING SUPPORT	1

004	711.08000.66	NUT DIN982 M8	2
005	630.08020.96	SCREW ISO7380	2
006	101.08000.67	WASHER DIN125 D8	4
007	116.08000.00	WASHER DIN125 A D8	2
008	46.11154.00	ROTATIVE BEACON ELECTRICAL LENGHT	1

3521 86695 - XXXX XXXXX

11. ELECTRIC INSTALLATION / FLASHING BEACON

BASTIDOR: 88911

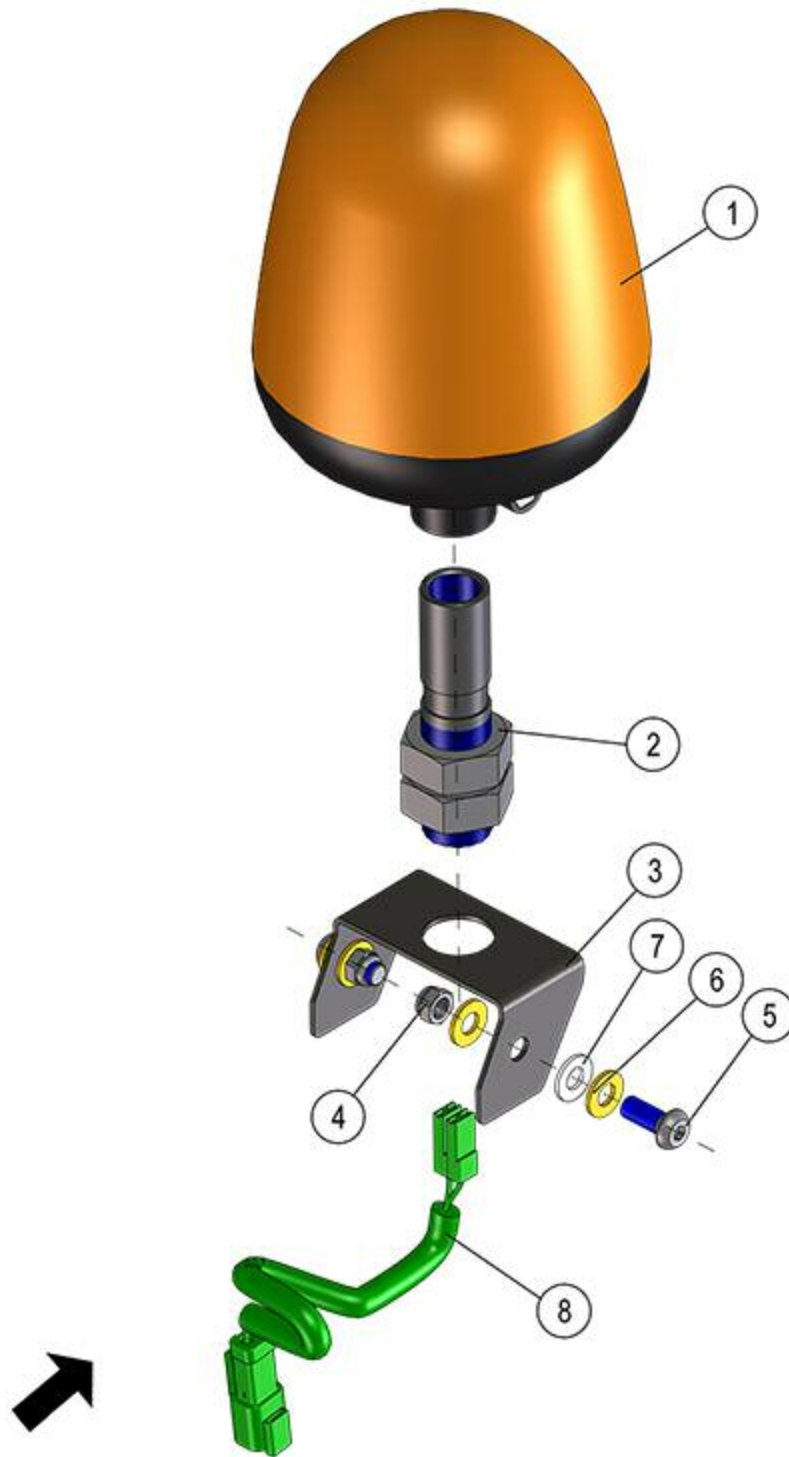


FIGURA	REFERENCIA	DENOMINACIÓN	CANTIDAD
001	66.11109.02	FLASHING BEACON	1
002	24.11200.00	SUPPORT	1

003	35.11150.00	FIXING SUPPORT	1
004	711.08000.66	NUT DIN982 M8	2
005	630.08020.96	SCREW ISO7380	2
006	101.08000.67	WASHER DIN125 D8	4
007	116.08000.00	WASHER DIN125 A D8	2
008	46.11154.00	ROTATIVE BEACON ELECTRICAL LENGHT	1

OBSERVACIONES

PM.00114

3521 86695 - XXXX XXXXX

11. ELECTRIC INSTALLATION / BUZZERS

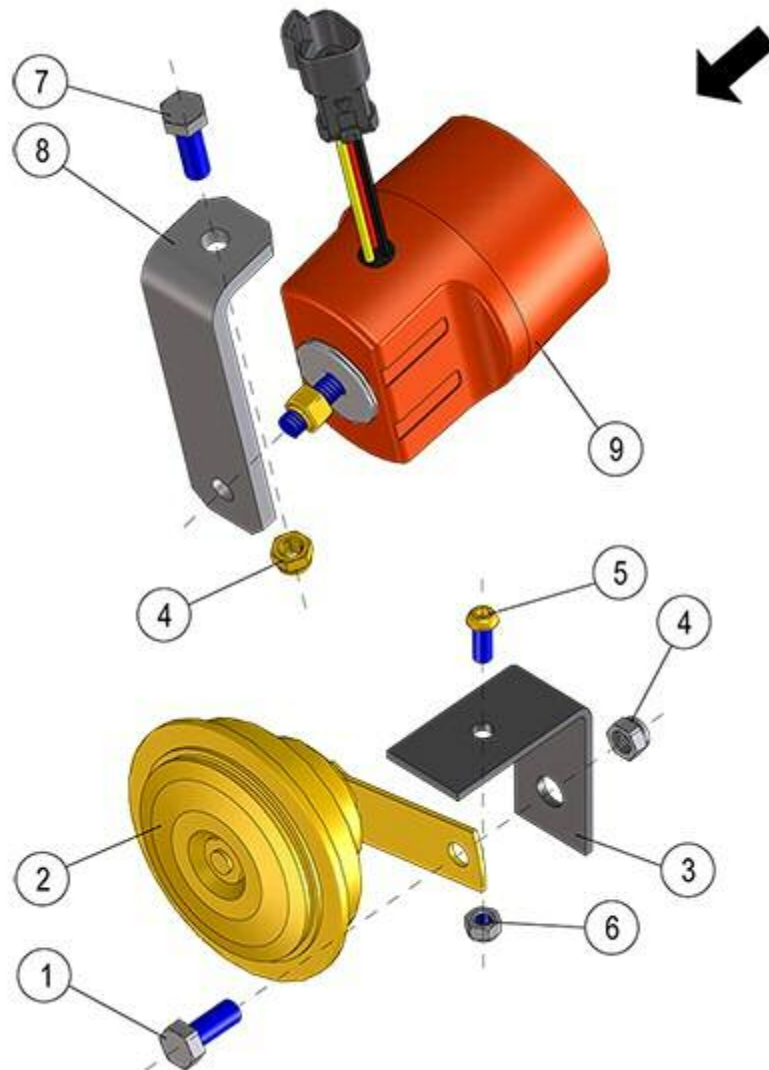


FIGURA	REFERENCIA	DENOMINACIÓN	CANTIDAD
001	603.08020.86	SCREW DIN933 M8x20	1
002	70.11309.00	HORN	1
003	55.10127.00	PROFILE 60x60x30	1
004	711.08000.66	NUT DIN982 M8	2
005	630.06015.96	SCREW ISO7380 M6x15	1
006	720.06000.66	NUT	1
007	603.08025.86	SCREW DIN933 M8x25	1
008	17.11041.00	SUPPORT 6X30X115	1
009	02.14110.04	REVERSE BUZZER	1

3521 86695 - XXXX XXXXX

11. ELECTRIC INSTALLATION / ARM BLOCKING SWITCH

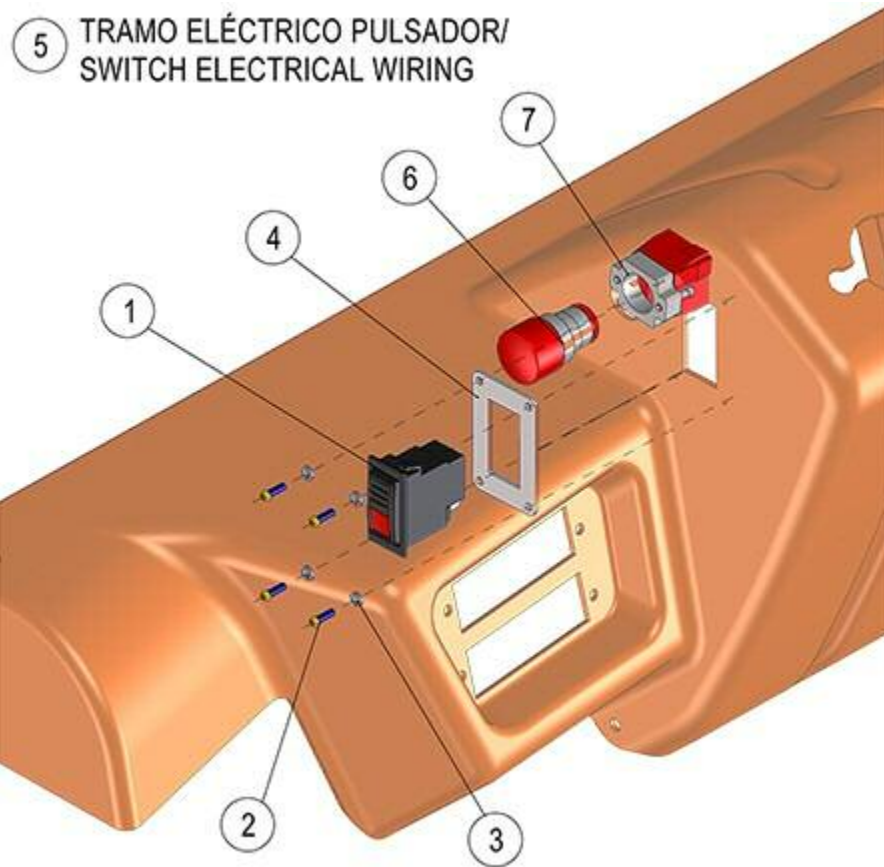


FIGURA	REFERENCIA	DENOMINACIÓN	CANTIDAD
001	32.11165.00	ARM BLOCKING SWITCH	1
002	635.03913.66	SCREW DIN 7981 ST3.9X13	4
003	104.04000.00	WASHER DIN7980 D4	4
004	35.11175.00	BRACKET	1
005	35.11118.01	ARM BLOCKING ELECTRIC WIRING	1
006	48.11590.00	SWITCH EMERGENCY 1 CONTACTOR NC	1
007	48.11590.01	NC CONTACTOR FOR EMERGENCY STOP	1

3521 86695 - XXXX XXXXX

11. ELECTRIC INSTALLATION / LOAD CELL

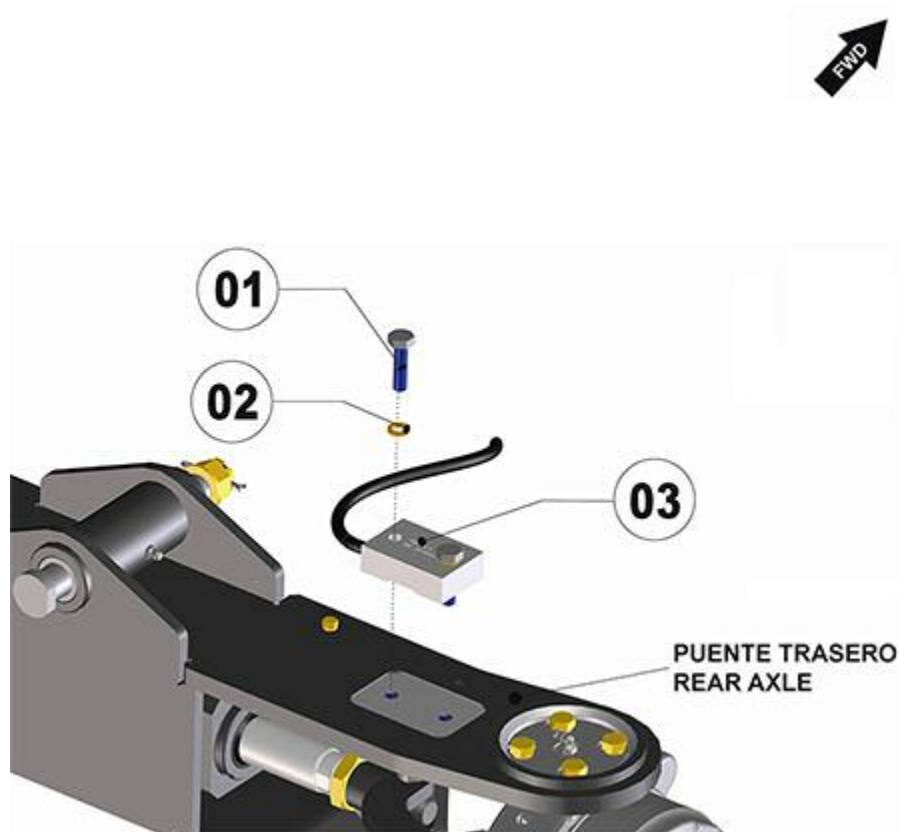


FIGURA	REFERENCIA	DENOMINACIÓN	CANTIDAD
001	604.10040.96	SCREW DIN931 M10X40	2
002	120.00010.66	SAFETY WASHER Ø10	1
003	35.11009.00	LOAD SENSOR	1

3521 86695 - XXXX XXXXX

11. ELECTRIC INSTALLATION / DASHBOARD

00 TABLIER COMPLETO / FULL DASHBOARD

26 TRAMO ELÉCTRICO TABLIER / DASHBOARD ELECTRIC WIRING

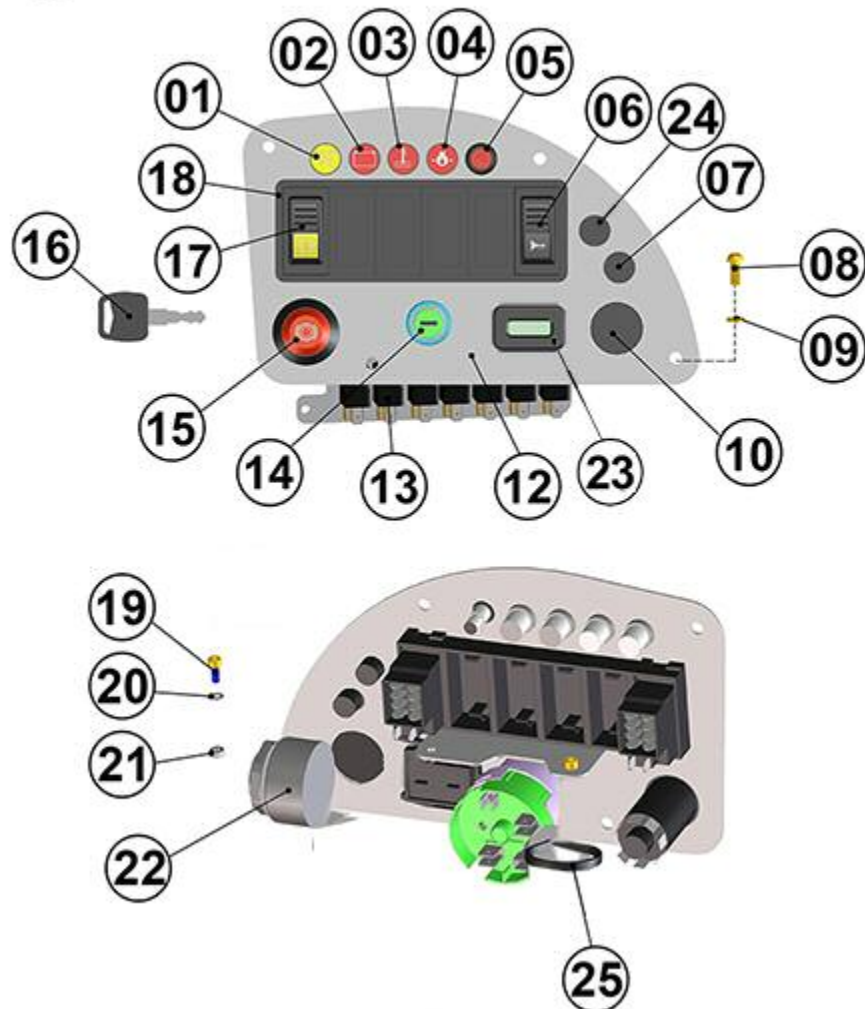


FIGURA	REFERENCIA	DENOMINACIÓN	CANTIDAD
000	35.11403.00	COMPLETE DASHBOARD SET	1
001	IM.20114.00	PRE HEATING INDICATOR	1
002	IM.20110.00	GENERATOR INDICATOR	1
003	IM.20108.00	WATER TEMPERATURE INDICATOR	1
004	IM.20109.00	OIL PRESSURE INDICATOR	1
005	IM.20113.00	AIR FILTER INDICATOR	1
006	12.11051.00	HORN SWITCH	1
007	IM.30053.00	ABS INDICATOR CAP	2
008	630.06020.96	SCREW ISO7380 M6x20	4

009	101.06000.66	WASHER DIN125 D6	4
010	12.11038.00	CAP D.30	1
012	35.08132.02	DASHBOARD SUPPORT	1
013	IM.20026.00	RELAY WITHOUT DIODE	7
014	32.08172.00	MAIN SWITCH WITH KEY ASSEMBLY	1
015	35.11182.00	PARKING BRAKE	1
016	35.11020.00	KEY	1
017	12.11052.00	ROTARY LIGHT SWITCH	1
018	35.11186.00	FIXING SUPPORT FOR 6 SWITCHES	1
019	601.04010.87	SCREW	2
020	101.04000.66	WASHER DIN125 D4	2
023	35.11185.00	HOURS COUNTER	1
025	931.05370.00	CLAMP TAPE 5x370	2
026	35.11400.00	DASHBOARD WIRING	1

3521 86695 - XXXX XXXXX

11. ELECTRIC INSTALLATION / ARM POSITION SENSOR

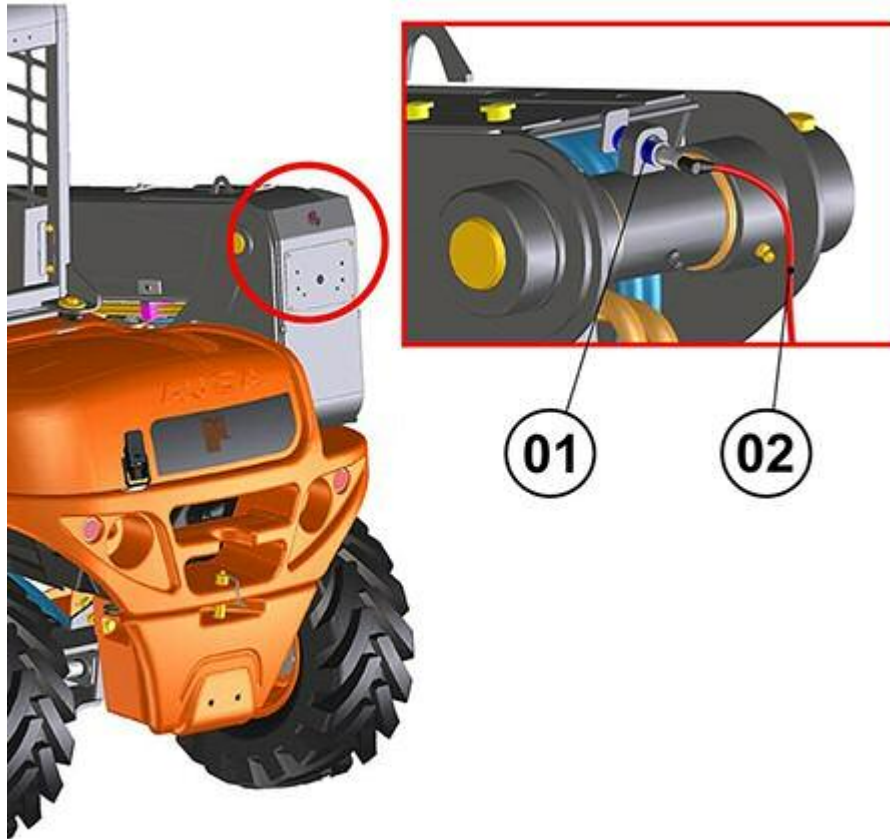


FIGURA	REFERENCIA	DENOMINACIÓN	CANTIDAD
001	35.11126.00	SENSOR	1
002	35.11127.00	HARNESS I/E INDUCTIVE SENSOR NA+	1

3521 86695 - XXXX XXXXX

11. ELECTRIC INSTALLATION / BATTERY

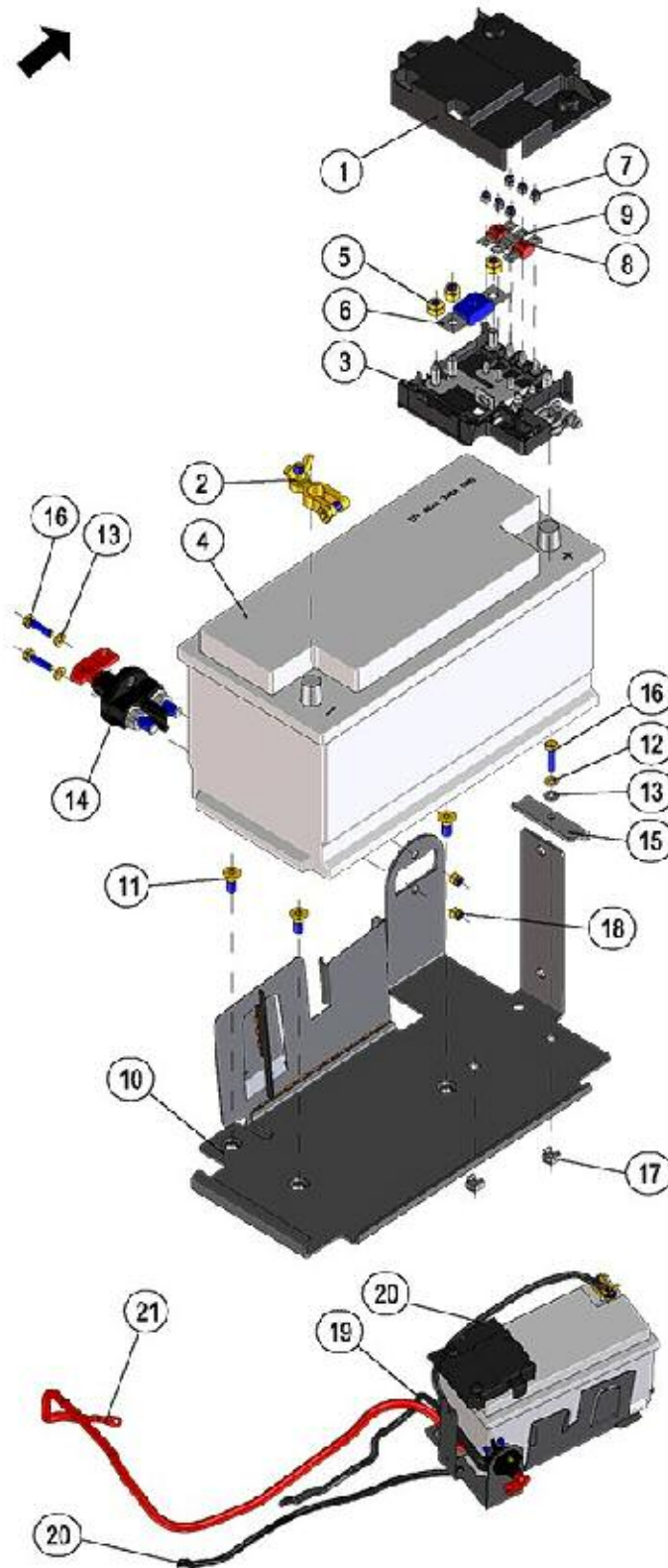


FIGURA REFERENCIA

DENOMINACIÓN

CANTIDAD

001	20.11014.00	BATTERY FUSEBOX COVER	1
002	20.11007.01	NEGATIVE BATTERY CONNECTOR	1
003	20.11009.00	BATTERY FUSE BOX	1
004	15.01411.00	BATTERY 12VX70AH	1
005	711.08000.66	NUT DIN982 M8	3
006	20.11010.00	200A PROTECTION FUSE	1
007	711.05000.66	NUT DIN982 M5	6
008	20.11011.00	FUSE 50A PROTECTION	2
009	20.11011.01	FUSE 60A GENERAL PROTECTION	1
010	35.08177.00	BATTERY SUPPORT	1
011	618.08020.86	SCREW DIN7991 M8x20	3
012	104.06000.00	WASHER DIN7980 D6	1
013	101.06000.66	WASHER DIN125 D6	3
014	24.11153.00	BATTERY DISCONNECTOR	1
015	20.11101.00	FIXATION SUPPORT 2X10X70	1
016	603.06025.86	SCREW DIN933 M6x25	3
017	726.06003.66	CAGED NUT M6x3	2
018	711.06000.66	NUT DIN982 M6	2
019	35.11505.00	NEGATIVE WIRE	1
020	64.11006.00	BATTERY NEGATIVE WIRE	1
021	35.11504.00	POSITIVE WIRE	1

3521 86695 - XXXX XXXXX

11. ELECTRIC INSTALLATION / OVERLOAD SYSTEM

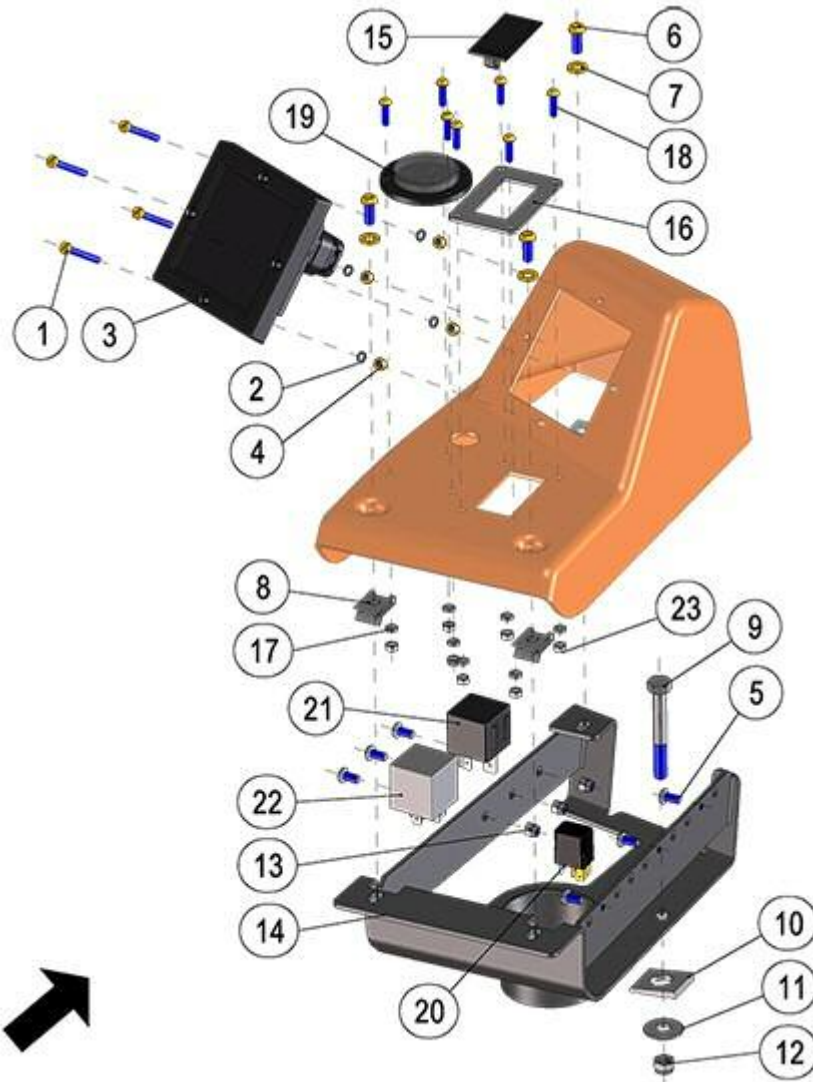


FIGURA	REFERENCIA	DENOMINACIÓN	CANTIDAD
001	615.04030.66	SCREW DIN84	4
002	101.04000.67	WASHER DIN125 D4	4
003	35.11008.00	DISPLAY	1
004	711.04000.66	NUT	4
005	630.05010.96	SCREW ISO7380	6
006	630.06015.96	SCREW ISO7380 M6x15	3
007	101.06000.66	WASHER DIN125 D6	3
008	727.06004.86	CAGED NUT M6x4	3
009	604.08060.86	SCREW DIN931 M8x60	1
010	00.00184.00	WASHER DIN434 14X30X4.9	1
011	112.08000.66	WASHER DIN9021 D8	1

012	711.08000.66	NUT DIN982 M8	1
013	711.05000.66	NUT DIN982 M5	5
014	35.11004.02	CONTROLS FIXATION SUPPORT 107X146X280	1
015	12.11024.00	SWITCH CAP	1
016	35.11175.00	BRACKET	1
017	104.04000.00	WASHER DIN7980 D4	7
018	630.04015.97	SCREW M4x15 ISO7380	7
019	32.08164.00	MACHINE LEVELING INDICATOR	1
020	IM.20026.03	MICRO RELAY WITH DIODE	1
021	48.11170.00	RELAY 70A UNSUPPORTED WITH DIODE	1
022	12.11047.00	"SEAT TIMING RELAY 3"	1
023	701.04000.66	NUT DIN934 M4	6

3521 86695 - XXXX XXXXX

11. ELECTRIC INSTALLATION / OVERLOAD SYSTEM

BASTIDOR: 89418

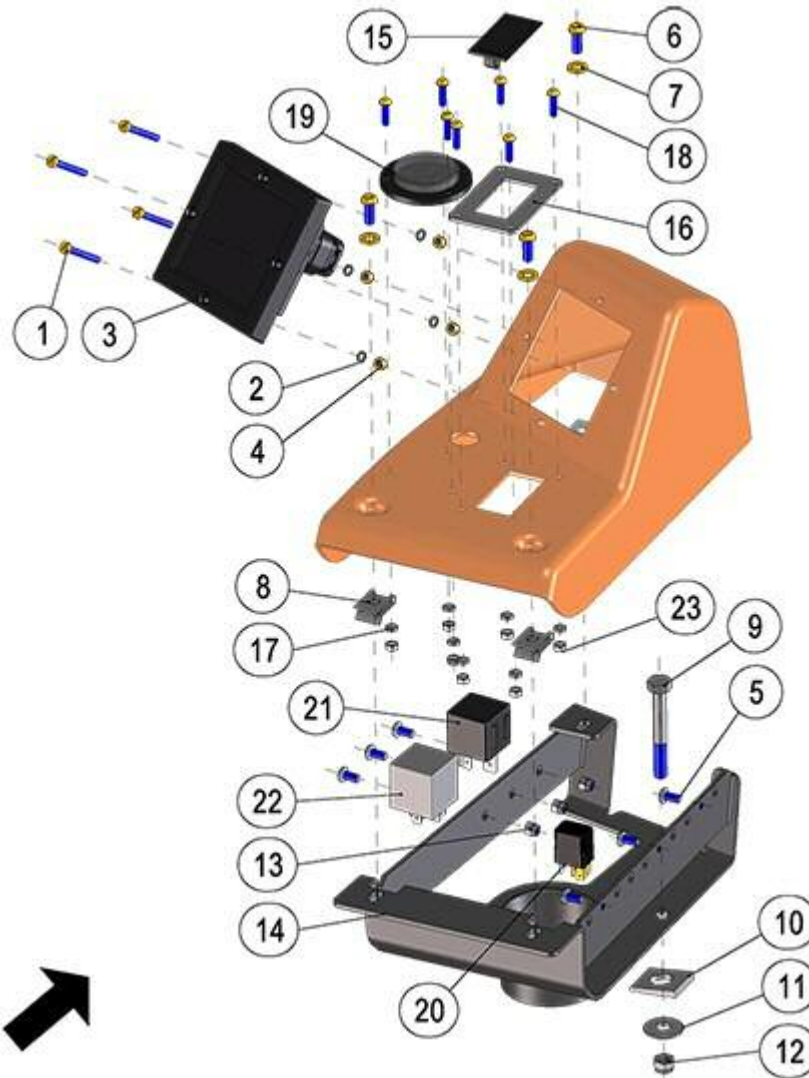


FIGURA	REFERENCIA	DENOMINACIÓN	CANTIDAD
001	615.04030.66	SCREW DIN84	4
002	101.04000.67	WASHER DIN125 D4	4
003	35.11008.00	DISPLAY	1
004	711.04000.66	NUT	4
005	630.05010.96	SCREW ISO7380	6
006	630.06015.96	SCREW ISO7380 M6x15	3
007	101.06000.66	WASHER DIN125 D6	3
008	727.06004.86	CAGED NUT M6x4	3
009	604.08060.86	SCREW DIN931 M8x60	1
010	00.00184.00	WASHER DIN434 14X30X4.9	1
011	112.08000.66	WASHER DIN9021 D8	1

012	711.08000.66	NUT DIN982 M8	1
013	711.05000.66	NUT DIN982 M5	5
014	35.11004.02	CONTROLS FIXATION SUPPORT 107X146X280	1
015	12.11024.00	SWITCH CAP	1
016	35.11175.00	BRACKET	1
017	104.04000.00	WASHER DIN7980 D4	7
018	630.04015.97	SCREW M4x15 ISO7380	7
019	32.08164.00	MACHINE LEVELING INDICATOR	1
020	IM.20026.03	MICRO RELAY WITH DIODE	1
021	48.11170.01	RELAY 70A UNSUPPORTED WITH DIODE	1
022	12.11047.00	"SEAT TIMING RELAY 3"	1
023	701.04000.66	NUT DIN934 M4	6

OBSERVACIONES

PM.00120

3521 86695 - XXXX XXXXX

11. ELEKTROINSTALLATION / WIRING HARNESS (1)

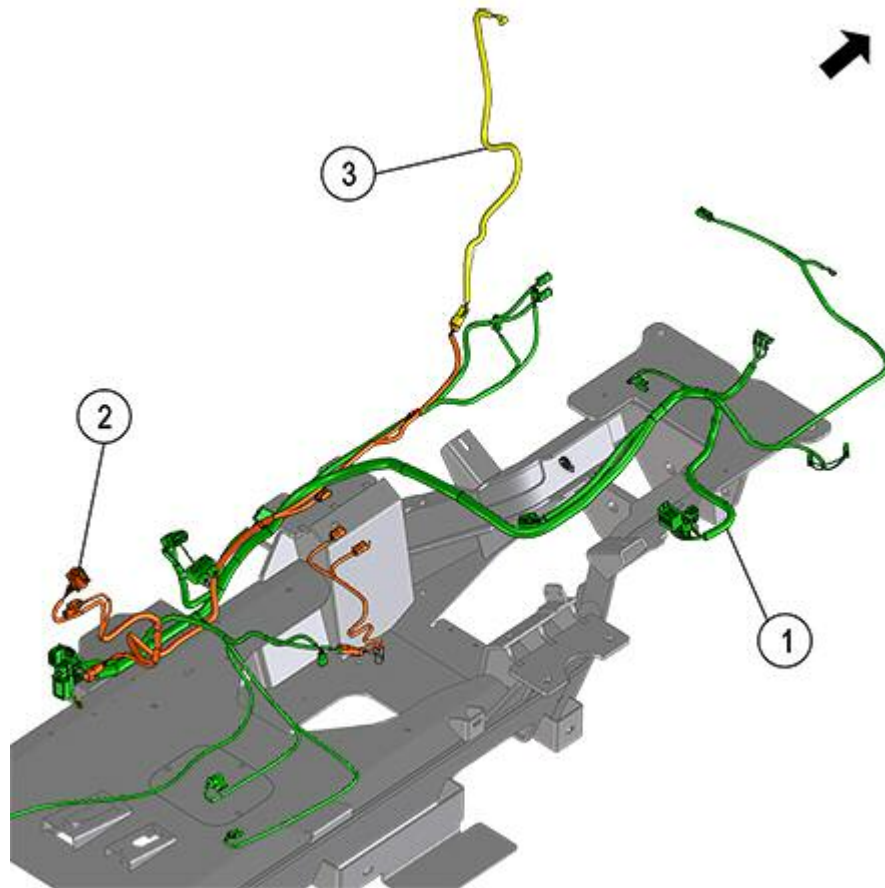


FIGURA	REFERENCIA	DENOMINACIÓN	CANTIDAD
001	35.11401.00	GENERAL WIRING HARNESS	1
002	35.11404.00	WIRING STABILITY SENSOR	1
003	35.11127.00	HARNESS I/E INDUCTIVE SENSOR NA+	1

3521 86695 - XXXX XXXXX

11. ELEKTROINSTALLATION / WIRING HARNESS (2)

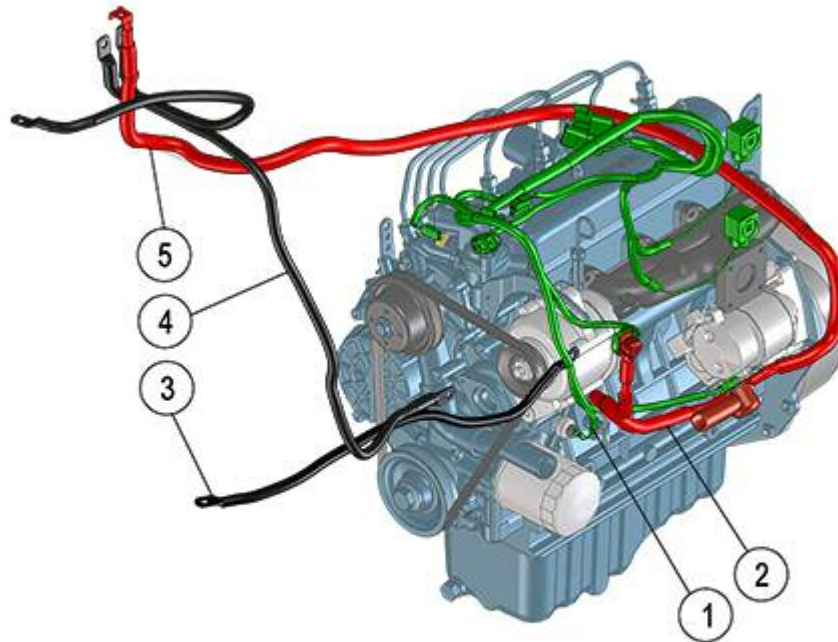


FIGURA	REFERENCIA	DENOMINACIÓN	CANTIDAD
001	35.11402.00	ENGINE WIRING HARNESS	1
002	35.11501.00	POSITIVE WIRE	1
003	64.11006.00	BATTERY NEGATIVE WIRE	1
004	35.11505.00	NEGATIVE WIRE	1
005	35.11504.00	POSITIVE WIRE	1

3521 86695 - XXXX XXXXX

11. ELEKTROINSTALLATION / WIRING HARNESS (3)

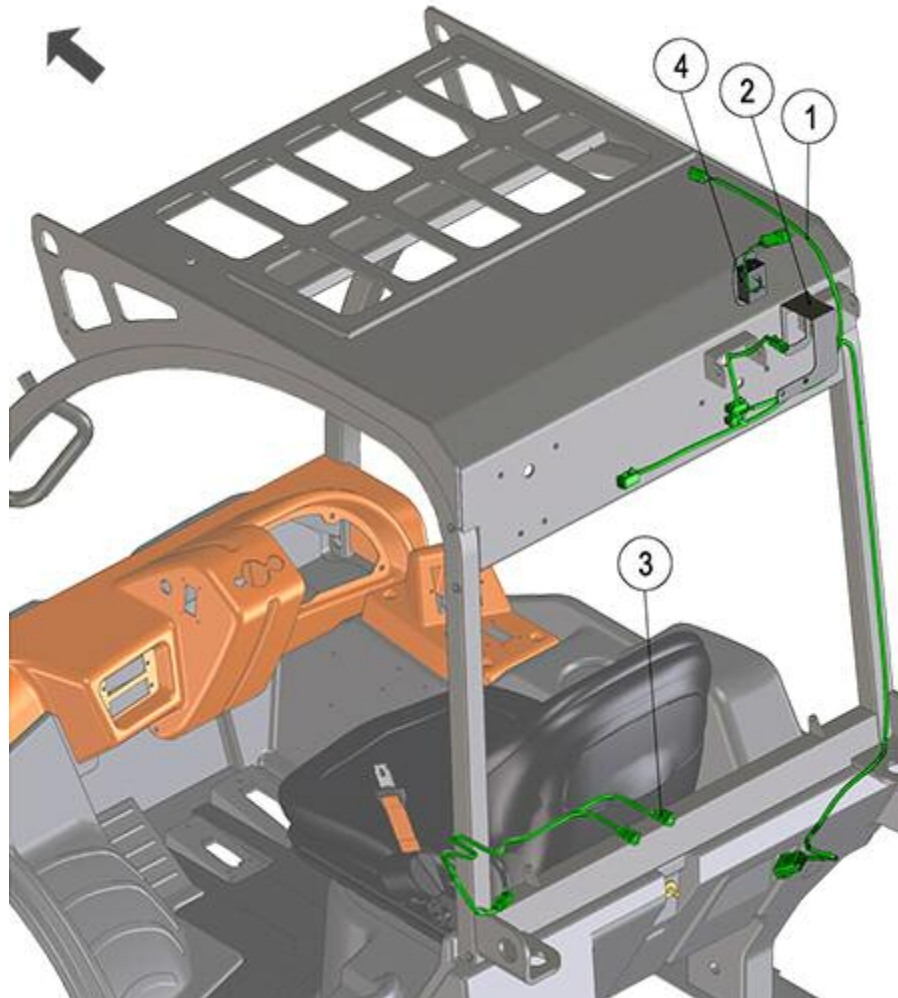


FIGURA	REFERENCIA	DENOMINACIÓN	CANTIDAD
001	35.11105.01	CABIN WIRING HARNESS	1
002	35.08193.00	SUPPORT	1
003	35.11701.00	SEAT + BELT WIRING HARNESS	1
004	24.11145.00	COURTESY LIGHT	1

3521 86695 - XXXX XXXXX

12. FINISHES / STICKERS & PLATES (PART 1)

	1		9
	2		
	3		14
	4		
	5		15
	6		16
	7		
	8		17
	8		18
	8		19

				20
--	--	--	--	----

	21		22
			23

FIGURA

REFERENCIA

DENOMINACIÓN

CANTIDAD

001	35.12011.00	MODEL DISPLAY 171X45 T144H	1
002	32.12113.01	TAURULIFT ADH. 270X48	1
003	45.19101.00	PLATE AD. INDI	1
004	01.12005.00		1
005	32.12111.00	ADHESIVE, A 194x194	1
006	00.00013.00	ADHESIVE	1
007	46.08099.00	AUSA BADGE	1
008	12.12010.00	ADHESIVE	1
009	35.12004.01	TAURULIFT ADHESIVE 1100X150	1
010	35.12003.00	INDI PLATE. ADV. 65X115	1
011	35.12500.00		1
012	35.12503.00		1
013	35.12111.00		1
015	02.20003.00	PLATE AD. INDI	1
016	09.12013.00	ADHESIVE	1
017	01.00757.00	PLATE AD. INDI	1
018	01.12003.00		1
019	01.12004.00		1
020	35.12026.00	ARM EXTENSION BCDE STICKER	1
021	32.12117.00	PLATE 110x110	1
022	35.12025.00	ARM EXTENSION A STICKER	1

3521 86695 - XXXX XXXXX

12. FINISHES / STICKERS & PLATES (PART 1)

BASTIDOR: 88044

		1	9
		2	
		3	14
		4	10
		5	11
			15
			16
			17
		7	12
			18
		8	13
			19
			20
			21
			22
			23

FIGURA

REFERENCIA

DENOMINACIÓN

CANTIDAD

001	35.12011.00	MODEL DISPLAY 171X45 T144H	1
002	32.12113.01	TAURULIFT ADH. 270X48	1
003	45.19101.00	PLATE AD. INDI	1
004	01.12005.00		1
005	32.12111.00	ADHESIVE, A 194x194	1
007	46.08099.00	AUSA BADGE	1
008	12.12010.00	ADHESIVE	1
009	35.12004.01	TAURULIFT ADHESIVE 1100X150	1

OBSERVACIONES

PM.00094

3521 86695 - XXXX XXXXX

12. FINISHES / STICKERS & PLATES (PART 1)

BASTIDOR: 88620










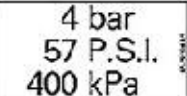









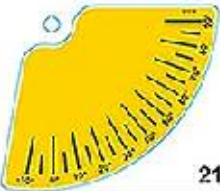

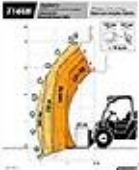



	1		
	2	9	
	3	14	
	4		
	5	10	
	6		
	7	11	
	8		
	13	18	
	19	20	
	21		
	24		
	25	23	
	26		

FIGURA REFERENCIA

DENOMINACIÓN

CANTIDAD

001	35.12011.00	MODEL DISPLAY 171X45 T144H	1
002	32.12113.01	TAURULIFT ADH. 270X48	1
003	45.19101.00	PLATE AD. INDI	1
004	01.12500.00		1
005	32.12111.00	ADHESIVE, A 194x194	1
006	00.00013.00	ADHESIVE	1
007	46.08099.00	AUSA BADGE	1
008	12.12010.00	ADHESIVE	1
009	35.12004.01	TAURULIFT ADHESIVE 1100X150	1
010	35.12337.00		1
011	01.12211.00		1
012	01.12005.00		1
013	35.12111.00		1
014	09.09900.00	PLATE AD. INDI	1
015	02.20003.00	PLATE AD. INDI	1
016	09.12013.00	ADHESIVE	1
017	01.00757.00	PLATE AD. INDI	1
018	01.12006.00		1
019	01.12004.00		1
020	35.12026.00	ARM EXTENSION BCDE STICKER	1
021	32.12117.00	PLATE 110x110	1
022	35.12025.00	ARM EXTENSION A STICKER	1
024	35.12500.00		1
025	35.12902.00		1
026	65.12103.00	STICKER DISCONNECT	1

OBSERVACIONES

PM.00058

3521 86695 - XXXX XXXXX

12. FINISHES / STICKERS & PLATES (PART 2)

	1		
	2		9
	3		10
	4		11
	5		12
	6		13
	7		15

FIGURA	REFERENCIA	DENOMINACIÓN	CANTIDAD
--------	------------	--------------	----------

001	01.12211.00		1
002	01.12006.00		1
003	02.00774.00	PLATE AD. INDI	1
004	01.12500.00		1
005	65.12103.00	STICKER DISCONNECT	1
006	35.12337.00		1
007	35.12700.00		1
008	35.12902.00		1
009	35.12123.00		1
010	35.12800.00		1
011	35.12110.00		1
012	01.00779.60	INDI. PLATE 130X100 STANDARD	1
013	35.12122.00		1
014	02.00766.01	ADH. PLATE IND. 40x80, SPANISH	1
015	02.00764.00	PLATE AD. INDI	1

3521 86695 - XXXX XXXXX
12. FINISHES / TOOLS BAG

FIGURA	REFERENCIA	DENOMINACIÓN	CANTIDAD
001	01.00036.02	TOOLS-BAG	1

3521 86695 - XXXX XXXXX

13. ACCESORIES / CLOSED CABIN (1)

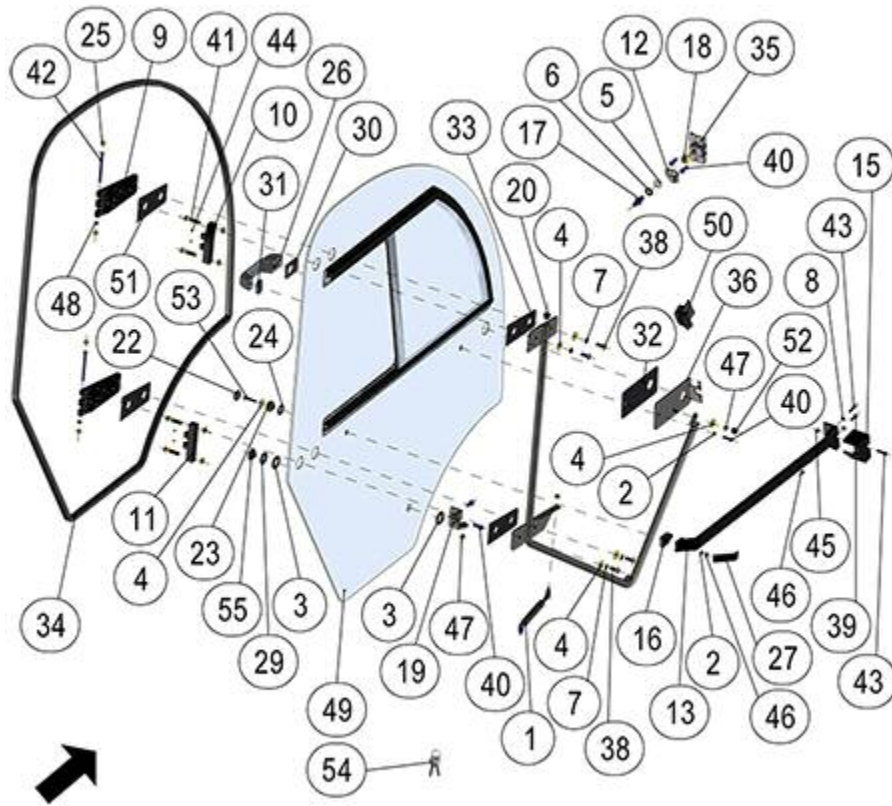


FIGURA	REFERENCIA	DENOMINACIÓN	CANTIDAD
000	35.08300.00	DOOR KIT T133H - T144H	1
001	46.08747.00	SHOCK ABSORBER, 100N	1
002	MA.10009.00	WASHER DIN9021 6X18X1,5	2
003	MA.10050.00	RUBBER WASHER 20X40	2
004	MA.10010.00	WASHER	7
005	101.12000.66	WASHER DIN125 D12	1
006	113.12000.66	WASHER	1
007	46.08513.00	WASHER DIN6798 Ø8 CAB	4
008	35.08326.00	WASHER. D6 DIN6798V	2
009	46.08509.00	FEMALE PLASTIC HINGE	2
010	35.08323.00	TOP MALE HINGE	1
011	35.08324.00	PLUG BOTTOM HINGE	1
012	MA.20029.00	PROTECTOR	1
013	35.08305.00	LEFT LOCK WITH HANDLE	1
015	35.08306.00	HOUSING + COVER LOCK INTERIOR	1
016	35.08327.00	LOCK CHARGE	1

017	35.08321.00	SHAFT CIL / ROS LOCK	1
018	35.08320.00	DECK REINFORCEMENT BOLT	1
019	35.08317.00	SHOCK BRACKET DOOR	1
020	46.08760.00	CAP 19MM.	1
022	35.08311.00	CAP. GLASS	1
023	35.08313.00	CAP. PLASTIC GLASSES	1
024	35.08312.00	WASHER. GLASS	1
025	46.08774.00	CAP GPN M6	4
026	MA.10045.00	LEFT EXTERIOR LOCK WITH KEY	1
027	35.08308.00	LID. LOCK HANDLE	1
029	35.08315.00	WASHER. RUBBER 35X16X5.5	1
030	MA.10051.00	RUBBER GASKET	1
031	MA.10052.00	RUBBER GASKET	1
032	MA.10053.00	RUBBER GASKET	1
033	46.08083.00	HINGE RUBBER BOARD	2
034	46.08501.00	CABIN RUBBER PROFILE (4.21 METERS)	1
035	35.08319.00	BOLT FIXING BRACKET LEFT.	1
036	35.08309.00	FIXING BRACKET LOCK LEFT	1
038	46.82124.00	BOLT ISO7380 M8x20/1,25	1
039	35.08306.00	HOUSING + COVER LOCK INTERIOR	1

3521 86695 - XXXX XXXXX

13. ACCESORIES / CLOSED CABIN (1)

FIGURA	REFERENCIA	DENOMINACIÓN	CANTIDAD
040	603.06025.86	SCREW DIN933 M6x25	4
041	630.08045.96	BOLT ISO7380 M8x45	4
042	603.06090.86	BOLT DIN933 M6x90	2
043	35.08329.00	SCREW M6x30 DIN7991	2
044	35.08322.00	STUD. DIN914 M5X5	4
045	701.06000.66	NUT DIN934 M6X1	1
046	720.06000.66	NUT	2
047	720.08000.66	NUT DIN985 M8 AUTOLOCKING	2
048	720.06000.NX	NUT DIN985 M6 SELF-LOCK	1
049	35.08301.00	glass LEFT DOOR. WITH WINDOW	1
050	48.08346.00	WINDOW LOCK	1
051	46.08772.00	RUBBER JOINT	1
052	46.08767.00	CAP	1
053	46.08712.00	SCREW DIN7985 M6x35	1



054	MA.10085.00	CABIN DOOR KEY	1
055	MA.10027.00	INSERTED NUT M8	1

3521 86695 - XXXX XXXXX

13. ACCESSORIES / CLOSED CABIN (2)

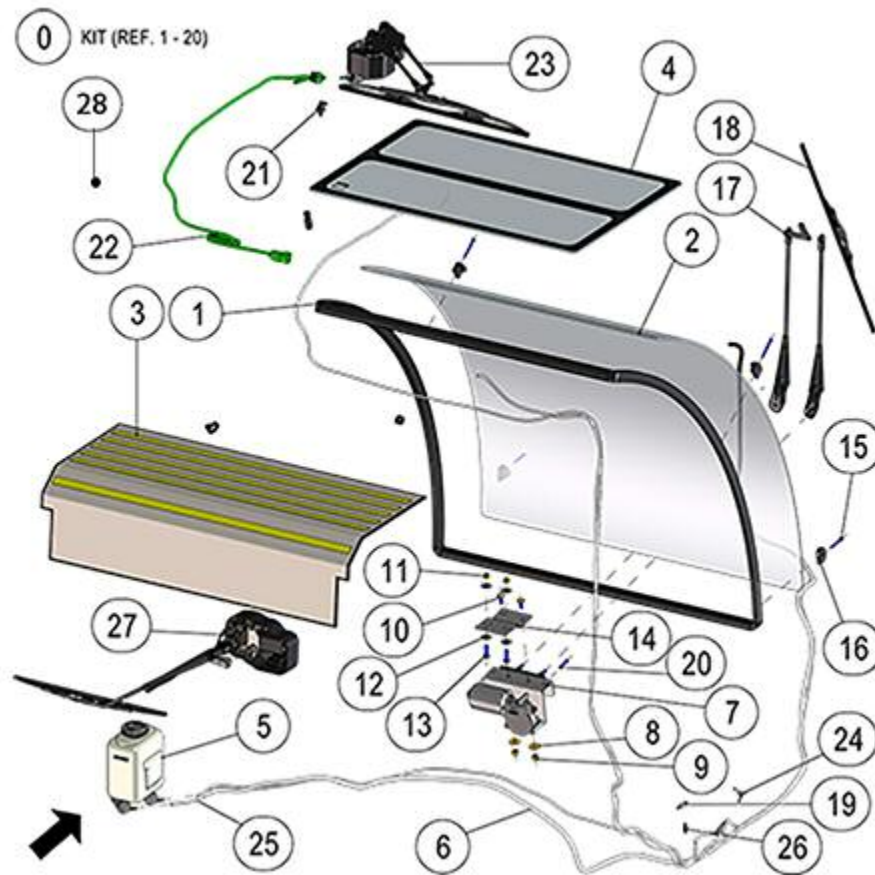


FIGURA	REFERENCIA	DENOMINACIÓN	CANTIDAD
0	35.08200.02	WINDSCREEN WIPER AND UPPER GLASS SET	1
001	46.08501.00	CABIN RUBBER PROFILE (4.21 METERS)	1
002	35.13050.00	WINDSCREEN	1
003	35.08207.02	INSULATION SHEET	1
004	35.13053.00	UPPER GLASS	1
005	24.13159.00	WINDSCREEN WIPER TANK	1
006	35.08205.00	CLEAR PLASTIC TUBE WASHER	1
007	MA.20080.01	WIPER MOTOR	1
008	MA.10010.00	WASHER	2
009	711.08000.66	NUT DIN982 M8	2
010	46.82124.00	BOLT ISO7380 M8x20/1,25	2
011	720.08000.66	NUT DIN985 M8 AUTOLOCKING	2
012	112.08000.66	WASHER DIN9021 D8	4
013	603.08025.86	SCREW DIN933 M8x25	2
014	35.08204.00	SCREEN WIPERS SUPPORT	1
015	MA.10065.00	SCREW DIN7604	4

016	MA.10030.00	NUT DIN1587	4
017	35.08203.00	CLEAN CURVED ARM	2
018	46.08571.00	WINDSCREEN WIPER BLADE	1
019	MA.10033.00	VALVE	1
020	46.08574.00	SCREW DIN 7985 M6x30/1,0	1
021	13.08204.01	GROMMET	2
022	35.11411.00	WINDSCREEN WIPER WIRING HARNESS	1
023	35.08213.00	ROOF WINDSCREEN WIPER SET	1
024	46.02771.00	FITTING	1
025	469.04008.00	TRANSPARENT PLASTIC TUBE MATERIAL	1
026	46.02300.00	CHECK VALVE D5X45	2
027	35.08212.00	WINDSCREEN WIPER SET	1
028	02.02803.00	GROMMET	1

3521 86695 - XXXX XXXXX

13. ACCESSORIES / CLOSED CABIN (2)

BASTIDOR: 87804

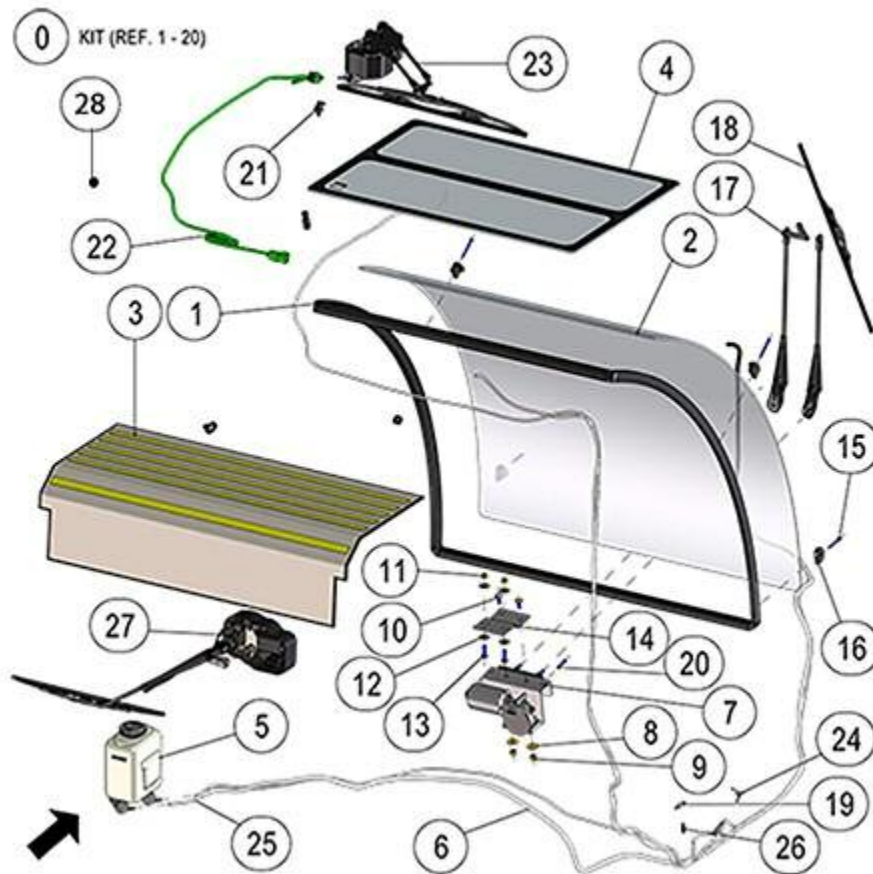


FIGURA	REFERENCIA	DENOMINACIÓN	CANTIDAD
0	35.08200.02	WINDSCREEN WIPER AND UPPER GLASS SET	1
001	46.08501.00	CABIN RUBBER PROFILE (4.21 METERS)	1
002	35.13050.00	WINDSCREEN	1
003	35.08207.02	INSULATION SHEET	1
004	35.13053.00	UPPER GLASS	1
005	24.13159.00	WINDSCREEN WIPER TANK	1
006	35.08205.00	CLEAR PLASTIC TUBE WASHER	1
007	MA.20080.01	WIPER MOTOR	1
008	MA.10010.00	WASHER	2
009	711.08000.66	NUT DIN982 M8	2
010	46.82124.00	BOLT ISO7380 M8x20/1,25	2
011	720.08000.66	NUT DIN985 M8 AUTOLOCKING	2
012	112.08000.66	WASHER DIN9021 D8	4
013	603.08025.86	SCREW DIN933 M8x25	2
014	35.08204.00	SCREEN WIPERS SUPPORT	1

015	MA.10065.00	SCREW DIN7604	4
016	MA.10030.00	NUT DIN1587	4
017	35.08203.00	CLEAN CURVED ARM	2
018	24.08248.00		1
019	MA.10033.00	VALVE	1
020	46.08574.00	SCREW DIN 7985 M6x30/1,0	1
021	13.08204.01	GROMMET	2
022	35.11411.00	WINDSCREEN WIPER WIRING HARNESS	1
023	35.08213.00	ROOF WINDSCREEN WIPER SET	1
024	46.02771.00	FITTING	1
025	469.04008.00	TRANSPARENT PLASTIC TUBE MATERIAL	1
026	46.02300.00	CHECK VALVE D5X45	2
027	35.08212.00	WINDSCREEN WIPER SET	1
028	02.02803.00	GROMMET	1

OBSERVACIONES

PM.00072

3521 86695 - XXXX XXXXX

13. ACCESORIES / CLOSED CABIN (3)

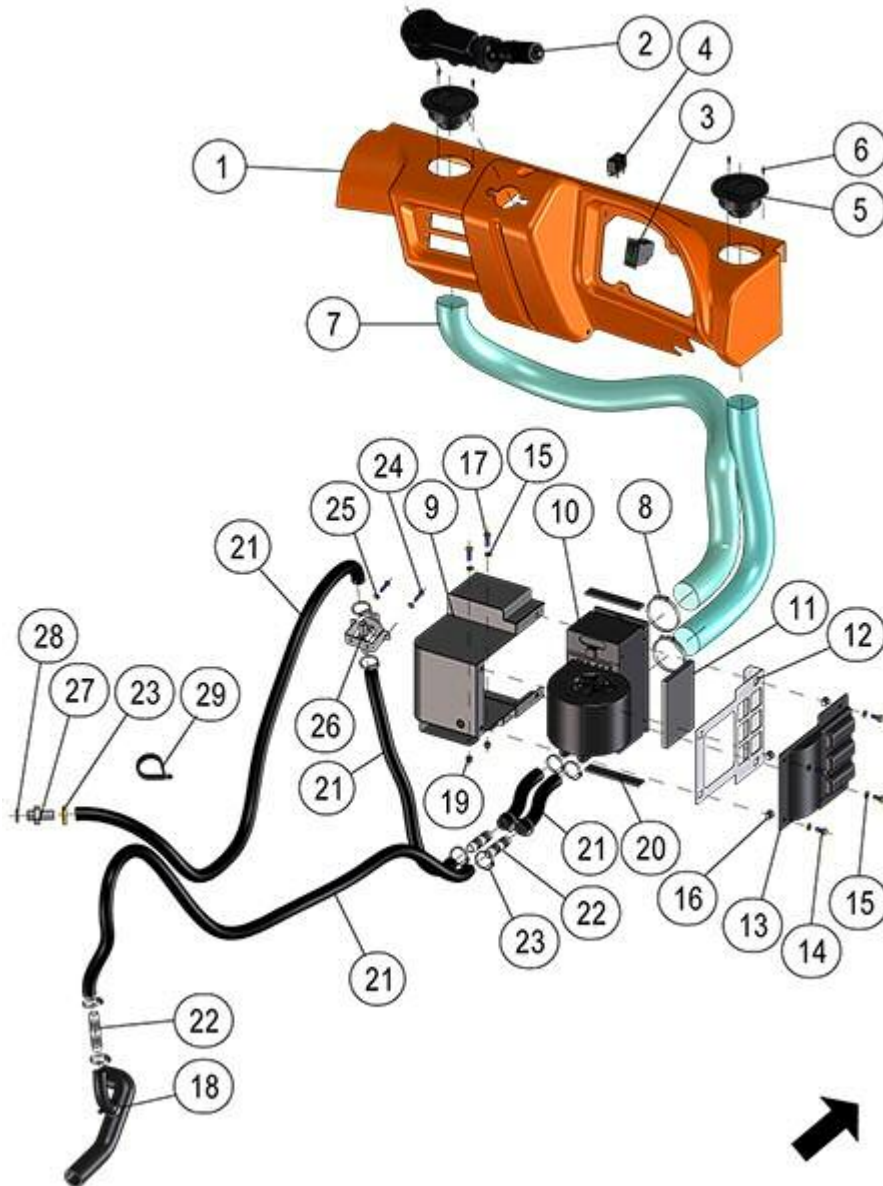


FIGURA	REFERENCIA	DENOMINACIÓN	CANTIDAD
001	35.13103.02	OPTIONAL DASHBOARD	1
002	35.11415.00	RIGHT LEVER LIGHTS/WINDSCREEN WIPER	1
003	12.11020.00	SWITCH	1
004	IM.20026.03	MICRO RELAY WITH DIODE	2
005	46.00368.00	AIR DIFFUSER	2
006	634.03010.82	SCREW DIN7982*	6
007	480.00050.00	MATERIAL TUBE PVC 50X54	1
008	912.40060.66	CLAMP D40-60	6
009	35.13060.00	HEATING BOX 143X233X237	1

010	46.00370.01	HEATER 12V 4700KCAL	1
011	35.13063.00	HEATING AIR FILTER 10X90X134	1
012	35.13061.00	FILTER MOUNTING SUPPORT 30X189X224	1
013	35.13062.00	HEATING COVER 143X233X237	1
014	603.06015.86	SCREW DIN933 M6x15	4
015	101.06000.66	WASHER DIN125 D6	6
016	726.06003.66	CAGED NUT M6x3	4
017	603.06020.86	SCREW DIN933 M6x20	2
018	35.13054.01	TUBE	1
019	711.06000.66	NUT DIN982 M6	2
020	477.10020.00	RUBBER PROFILE MAT.	2
021	464.03024.00	TUBE	1
022	32.08243.00	FITTING M/M RECTUM 16X12X76	3
023	912.20032.00	CLAMP	11
024	630.05020.96	SCREW ISO7380	2
025	101.05000.66	WASHER DIN125 D5	2
026	46.00369.00	BALL VALVE D11	1
027	08.00301.02	NIPPLE M/TB	1
028	08.00317.00	METALLIC GASKET BUNA D3/8	1
029	830.04006.00	CLAMP LOOP D40x6	1

3521 86695 - XXXX XXXXX

13. ACCESORIES / RIGHT REAR-VIEW MIRROR

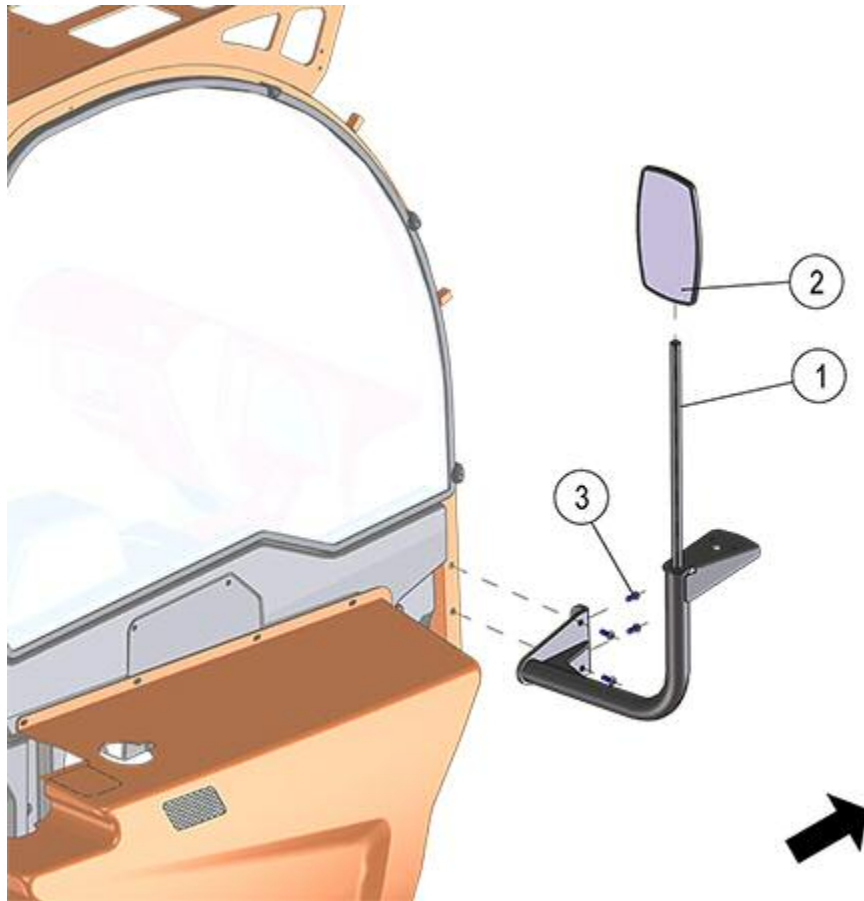


FIGURA	REFERENCIA	DENOMINACIÓN	CANTIDAD
001	35.13020.01	REARVIEW MIRROR AND LIGHT RIGHT SUPPORT	1
001	35.13020.01	REARVIEW MIRROR AND LIGHT RIGHT SUPPORT	1
002	12.08011.00	REARVIEW MIRROR	1
002	12.08011.00	REARVIEW MIRROR	1
003	630.08020.96	SCREW ISO7380	4
003	630.08020.96	SCREW ISO7380	4

3521 86695 - XXXX XXXXX**13. ACCESORIES / BUCKET UNIVERSAL HITCH**

FIGURA	REFERENCIA	DENOMINACIÓN	CANTIDAD
001	35.13150.01	BUCKET 300L T144H UNIVERSAL HITCH	1

3521 86695 - XXXX XXXXX

13. ACCESORIES / BUCKET UNIVERSAL HITCH

BASTIDOR: 90914

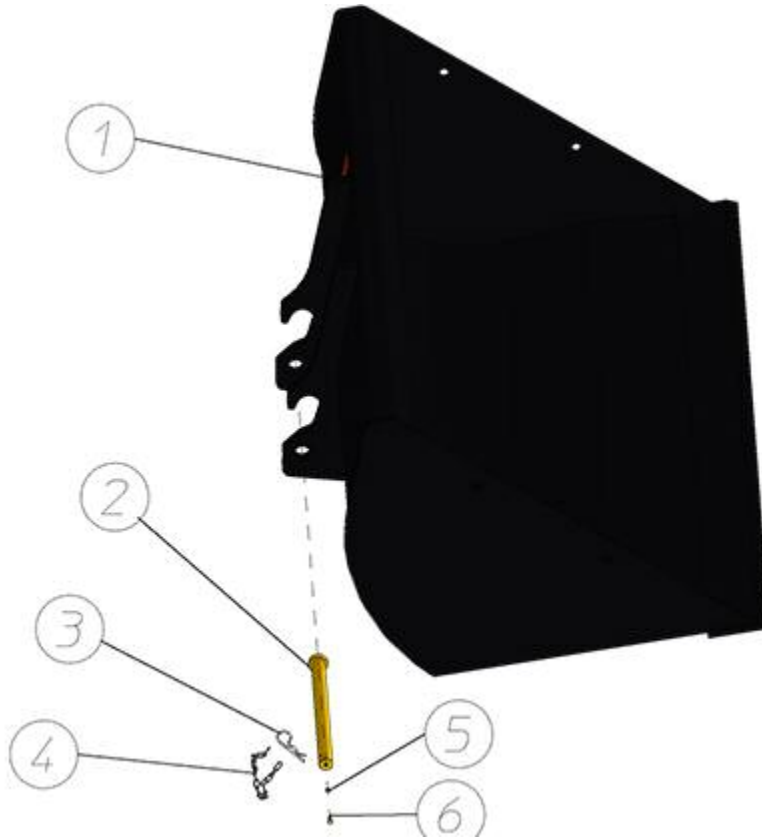


FIGURA	REFERENCIA	DENOMINACIÓN	CANTIDAD
001	35.13150.00	LADLE 330L UNIV T144H	1
002	35.13901.00	AXLE CIL/CPA	1
003	15.00836.00	PIN DIN11024 R4	1
004	15.00834.00	CHAIN	1
005	701.05000.66	NUT DIN934 M5x0.8	1
006	603.05015.86	SCREW DIN933	1

3521 86695 - XXXX XXXXX

13. ACCESORIES / BALL HITCH

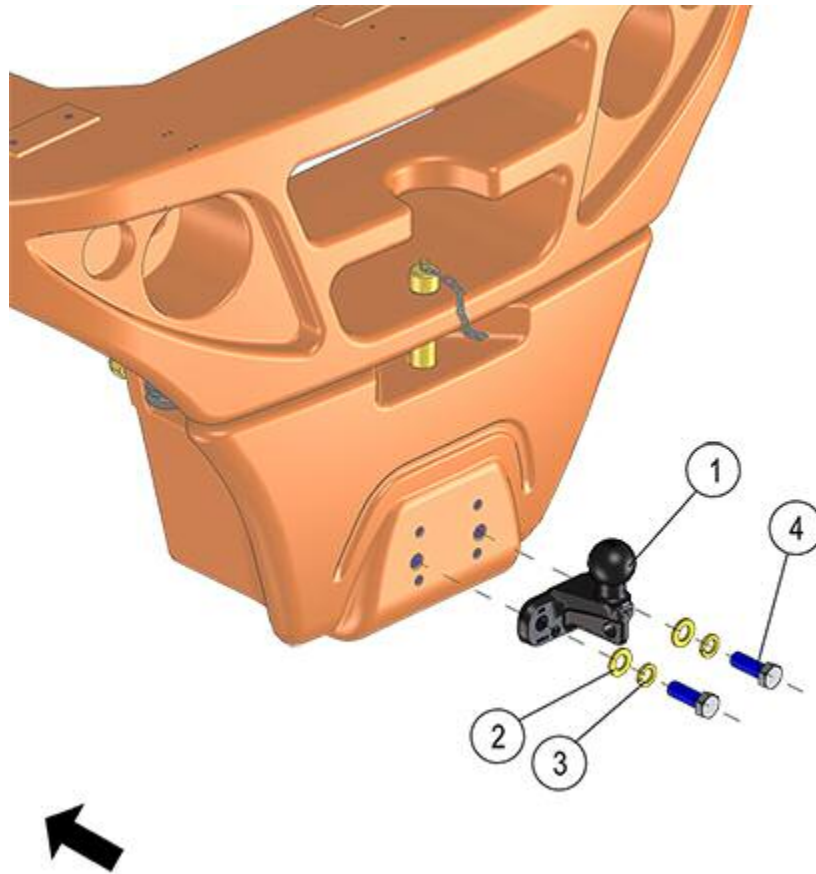
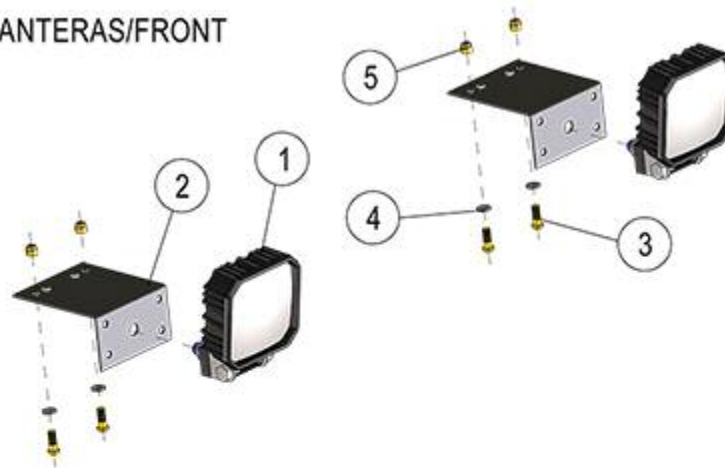


FIGURA	REFERENCIA	DENOMINACIÓN	CANTIDAD
001	14.00794.00	COUPLING BALL	1
001	14.00794.00	COUPLING BALL	1
002	101.16000.66	WASHER DIN125 D16	2
002	101.16000.66	WASHER DIN125 D16	2
003	104.16000.00	CIR-CLIP EXT. DIN7980	2
003	104.16000.00	CIR-CLIP EXT. DIN7980	2
004	603.16045.86	SCREW DIN933 M16X45	2
004	603.16045.86	SCREW DIN933 M16X45	2

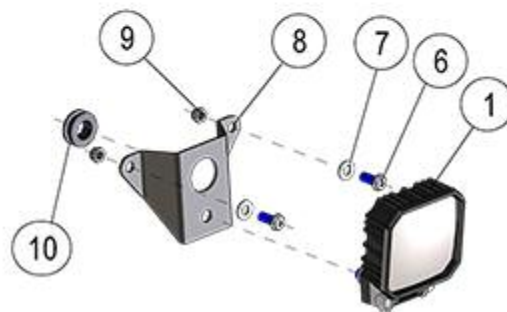
3521 86695 - XXXX XXXXX

13. ACCESORIES / WORKLIGHTS

DELANTERAS / FRONT



TRASERAS / REAR



COMANDO / CONTROL



FIGURA	REFERENCIA	DENOMINACIÓN	CANTIDAD
001	24.11143.00	REVERSING LIGHT	3
002	10.11042.00	SOP. PILOTO 100X85X50	2
003	630.06020.96	SCREW ISO7380 M6x20	4
004	101.06000.66	WASHER DIN125 D6	4
005	711.06000.66	NUT DIN982 M6	4
006	630.08020.96	SCREW ISO7380	2
007	101.08000.66	WASHER DIN125 D8	2
008	35.09130.00	SUPPORT	1
009	711.08000.66	NUT DIN982 M8	2
010	43.07777.00	GROMMET	1
011	IM.20016.00	WORKING LIGHT SWITCH	1

3521 86695 - XXXX XXXXX

13. ACCESORIES / SOLID TYRES



FIGURA	REFERENCIA	DENOMINACIÓN	CANTIDAD
001A	35.07035DE00	MOUNTED WHEEL	2
001B	35.07035IZ00	MOUNTED WHEEL	2

3521 86695 - XXXX XXXXX

13. ACCESORIES / FLOATING TYRES

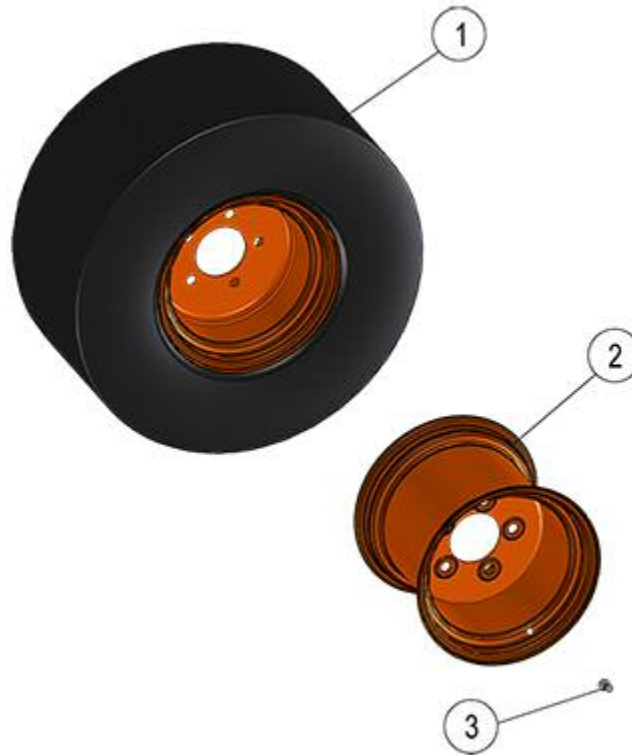


FIGURA	REFERENCIA	DENOMINACIÓN	CANTIDAD
001A	35.07032DE00	MOUNTED WHEEL	2
001B	35.07032IZ00	MOUNTED WHEEL	2
002	35.07033.00	RIM	4
003	70.07023.00	TUBELESS VALVE TR415	4

3521 86695 - XXXX XXXXX

13. ACCESORIES / NON-MARKING TYRES

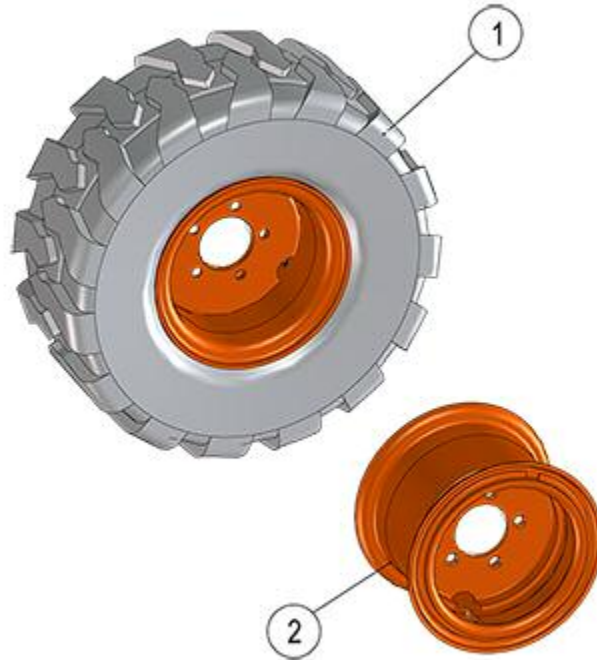


FIGURA	REFERENCIA	DENOMINACIÓN	CANTIDAD
001A	35.07025DE00	MOUNTED WHEEL	2
001B	35.07025IZ00	MOUNTED WHEEL	2
002	35.07022.00	RIM	4

3521 86695 - XXXX XXXXX**13. ACCESORIES / CONSTRUCTION SOLID TYRES**

FIGURA	REFERENCIA	DENOMINACIÓN	CANTIDAD
001A	35.07024DE00	MOUNTED WHEEL	2
001B	35.07024IZ00	MOUNTED WHEEL	2

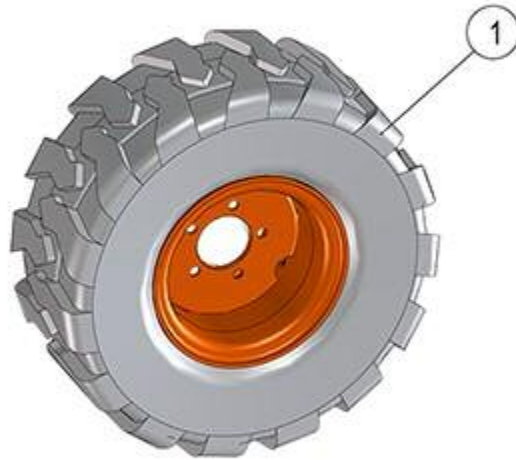
3521 86695 - XXXX XXXXX**13. ACCESORIES / NON-MARKING TYRES FOAM**

FIGURA	REFERENCIA	DENOMINACIÓN	CANTIDAD
001A	35.07029DE00	MOUNTED WHEEL	2
001B	35.07029IZ00	MOUNTED WHEEL	2

3521 86695 - XXXX XXXXX

13. ACCESORIES / UNIVERSAL HITCH & 5TH VALVE (1)

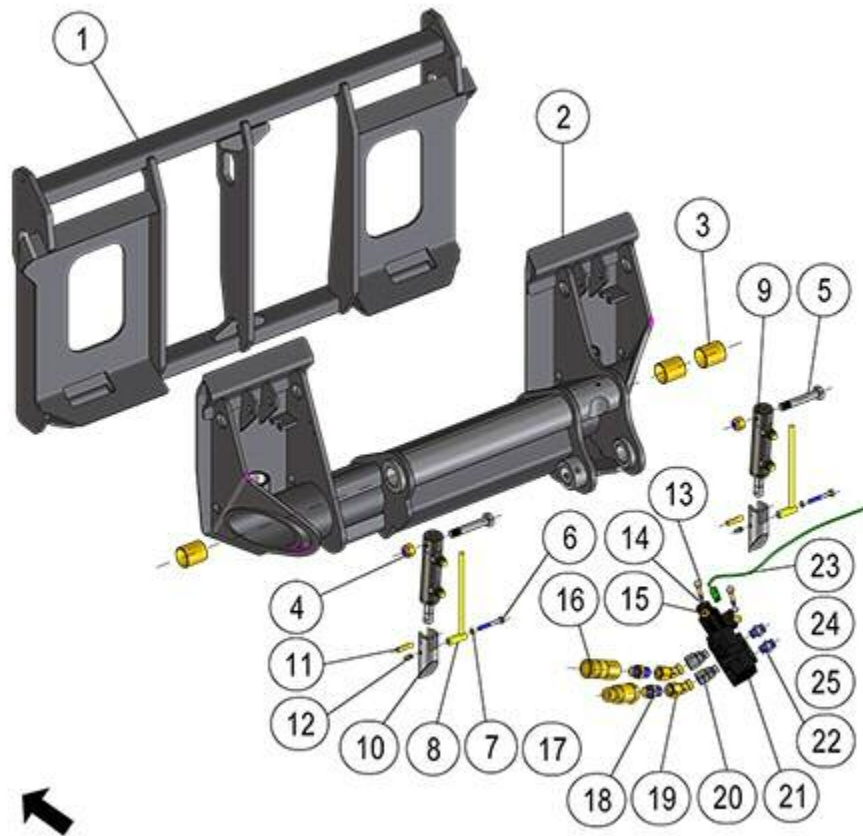


FIGURA	REFERENCIA	DENOMINACIÓN	CANTIDAD
001	35.09380.00	T144 UNIVERSAL CARRIAGE	1
002	35.09880.00	UNIVERSAL T144H PIVOTING POINT	1
003	949.04050.00	PLAIN BEARING 40X44X50 DIN 1494	3
004	711.16000.66	NUT DIN982 M16 8.8 K	2
005	604.16090.86	SCREW DIN931	2
006	604.08055.86	BOLT DIN931 M8x55	2
007	104.08000.00	WASHER DIN7980 D8	2
008	32.95465.01	dipstick Ø15X80	2
009	32.95462.01	CYLINDER D/E Ø32XØ20X231	2
010	32.95460.00	EJE CIL / CIL Ø30X148	2
011	403.10040.00	PIN DIN6325 D10X40	2
012	901.08000.33	GREASER DIN71412-A M8x1,25	2
013	604.08080.86	SCREW DIN931	2
014	104.08000.00	WASHER DIN7980 D8	2
015	101.08000.66	WASHER DIN125 D8	2
016	46.10143.00	FEMALE FAST PLUG 1/2 GAS	1

017	46.10142.00	FAST PLUG 1/2 GAS SCREWED	1
018	46.10824.00	FITTING	2
019	48.10317.00	FITTING	2
020	46.58211.00		2
021	42.70100.02		1
022	70.10222.00	FITTING M/M M18x3/8BSP	2
023	35.11418.00	WIRING HARNESS 5TH EV.	1
024	35.11416.00	WIRING HARNESS 5TH FUNCTION	1
025	35.11417.00	WIRING HARNESS OTTO	1

3521 86695 - XXXX XXXXX

13. ACCESORIES / UNIVERSAL HITCH & 5TH VALVE (2)

0 KIT HIDRÁULICO ENGANCHE UNIVERSAL /
UNIVERSAL HITCH HYDRAULIC KIT

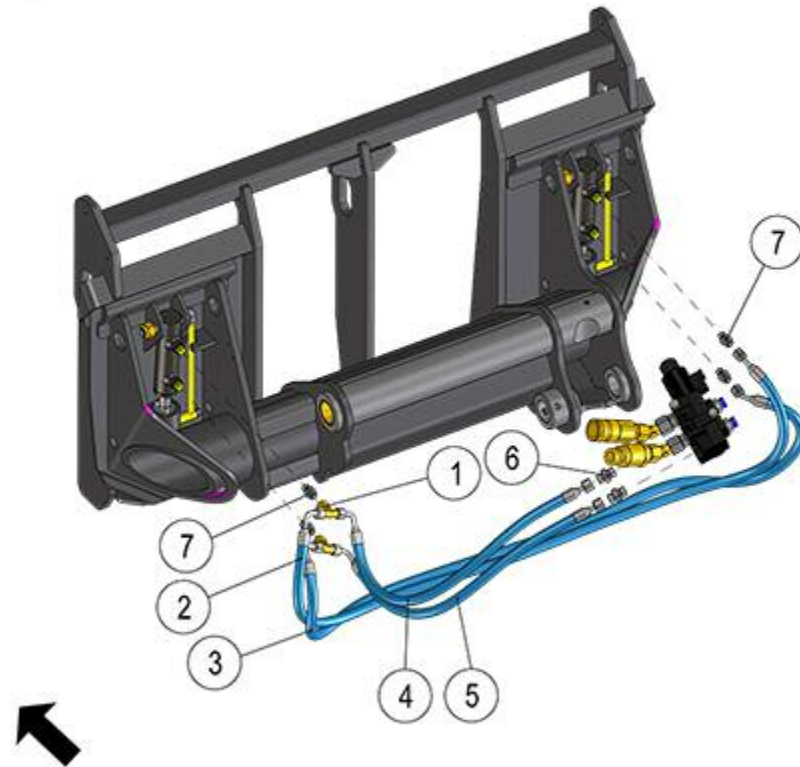


FIGURA	REFERENCIA	DENOMINACIÓN	CANTIDAD
000	35.10845.00	UNIVERSAL PLUG PIPING SET	1
001	48.10319.00	FITTING M/TL/M -M14x1,5	2
002	32.10187.00	HOSE R17 1/4 C45TLM14-C90TLM14	1
003	32.10187.00	HOSE R17 1/4 C45TLM14-C90TLM14	1
004	32.10185.00	HOSE R17 1/4 TLM16-C90TLM14 L6	1
005	32.10152.02	TUBE R16 1/4 TL M16-C90M14 580	1
006	46.10849.00	FITTING	2
007	20.10242.00	NIPPLE M/M	4

3521 86695 - XXXX XXXXX

13. ACCESORIES / UNIVERSAL HITCH & 5TH VALVE (3)

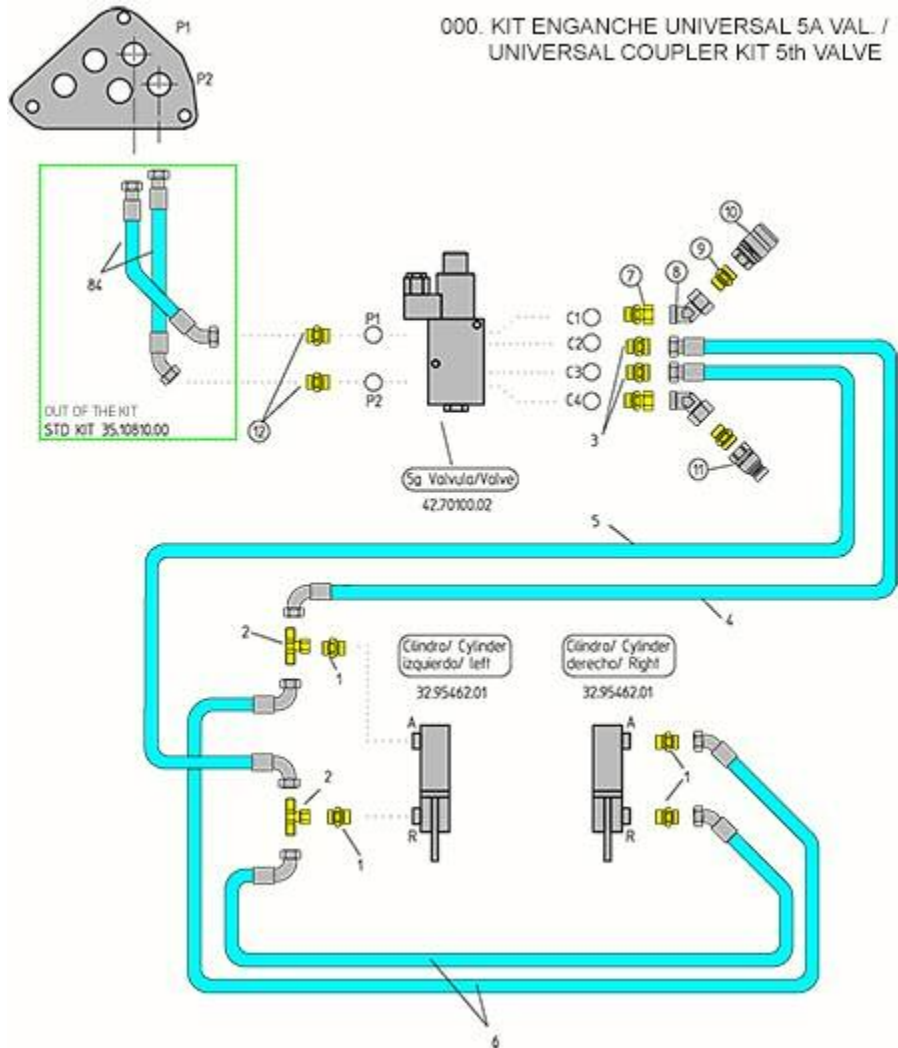


FIGURA	REFERENCIA	DENOMINACIÓN	CANTIDAD
000	35.10845.00	UNIVERSAL PLUG PIPING SET	1
001	20.10242.00	NIPPLE M/M	4
002	48.10319.00	FITTING M/TL/M -M14x1,5	2
003	46.10849.00	FITTING	2
004	32.10185.00	HOSE R17 1/4 TLM16-C90TLM14 L6	1
005	32.10152.02	TUBE R16 1/4 TL M16-C90M14 580	1
006	32.10187.00	HOSE R17 1/4 C45TLM14-C90TLM14	2
084	35.10813.00	HOSE	2

3521 86695 - XXXX XXXXX

13. ACCESORIES / AUSA HITCH BUCKET



FIGURA	REFERENCIA	DENOMINACIÓN	CANTIDAD
001	35.13100.01	BUCKET 300L T144H	1

3521 86695 - XXXX XXXXX

13. ACCESORIES / LOAD PROTECTOR

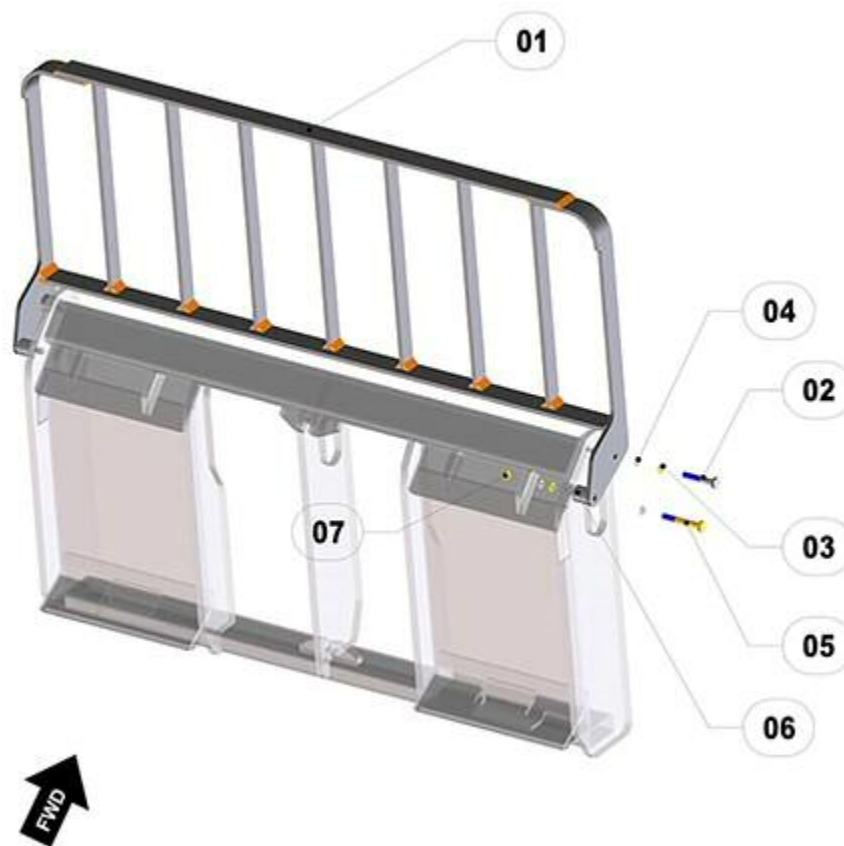


FIGURA	REFERENCIA	DENOMINACIÓN	CANTIDAD
001	32.13300.02	LOAD PROTECTOR 1248X555X129	1
002	604.10130.86	SCREW DIN931 M10X130	2
003	104.10000.00	WASHER DIN7980 D10	4
004	101.10000.66	WASHER DIN125 D10	6
005	604.10140.86	BOLT DIN931 M10x140	2
006	32.13304.00	CAP. T204H ADAPTER	4
007	701.10000.66	NUT DIN934 M10x1.5	4

3521 86695 - XXXX XXXXX

13. ACCESORIES / FRONT WINDHSHIELD PROTECTOR

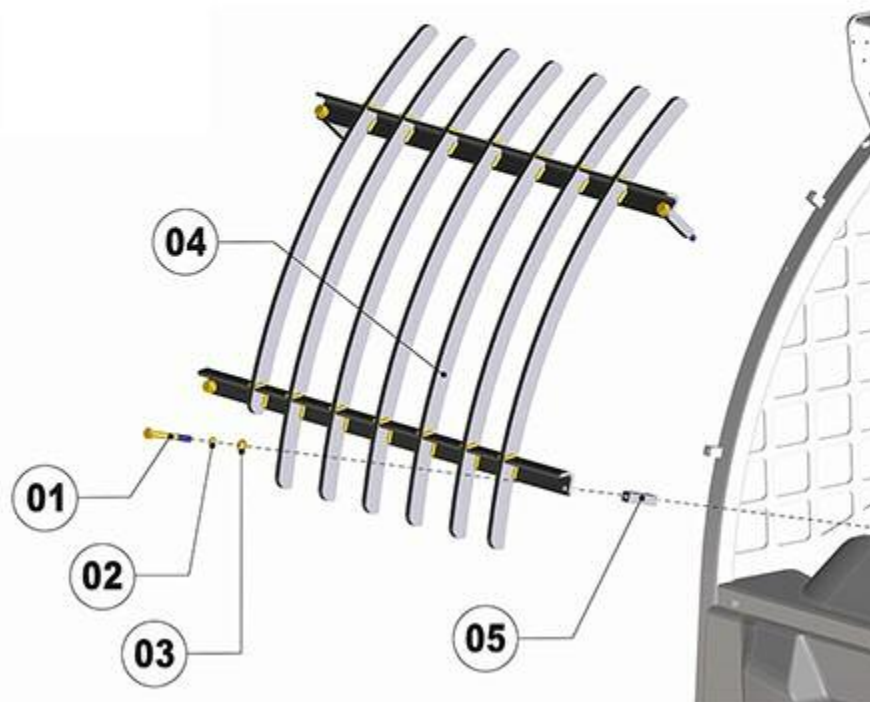


FIGURA	REFERENCIA	DENOMINACIÓN	CANTIDAD
001	604.10090.86	NUT	4
002	104.10000.00	WASHER DIN7980 D10	4
003	101.10000.67	D10 WASHER DIN125	4
004	35.08107.00	CABIN GRILL PROTECTOR	1
005	35.08125.01	PROTECTOR SUPPORT	4

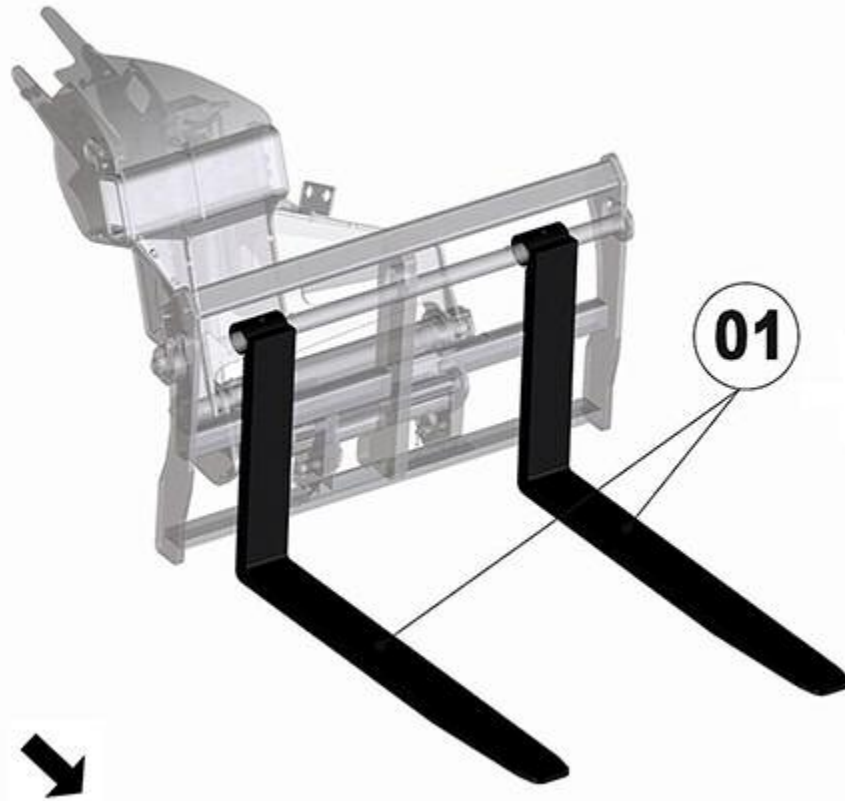
3521 86695 - XXXX XXXXX
14. OPTION / FORKS 1200MM

FIGURA	REFERENCIA	DENOMINACIÓN	CANTIDAD
001	35.09321.00	FORK ARM 1200MM	2

3521 86695 - XXXX XXXXX

13. ACCESORIES / BUCKET 4 IN 1

01 PALA 4 EN 1 / BUCKET 4 EN 1
 (SÓLO COMPATIBLE CON ENGANCHE UNIVERSAL /
 ONLY SUITABLE TO UNIVERSAL HITCH)



FIGURA	REFERENCIA	DENOMINACIÓN	CANTIDAD
001	35.13450.00	BUCKET 4 EN 1	1

13. EURO 8 HITCH

HITCH + FORK CARRIAGE

BASTIDOR: 86695

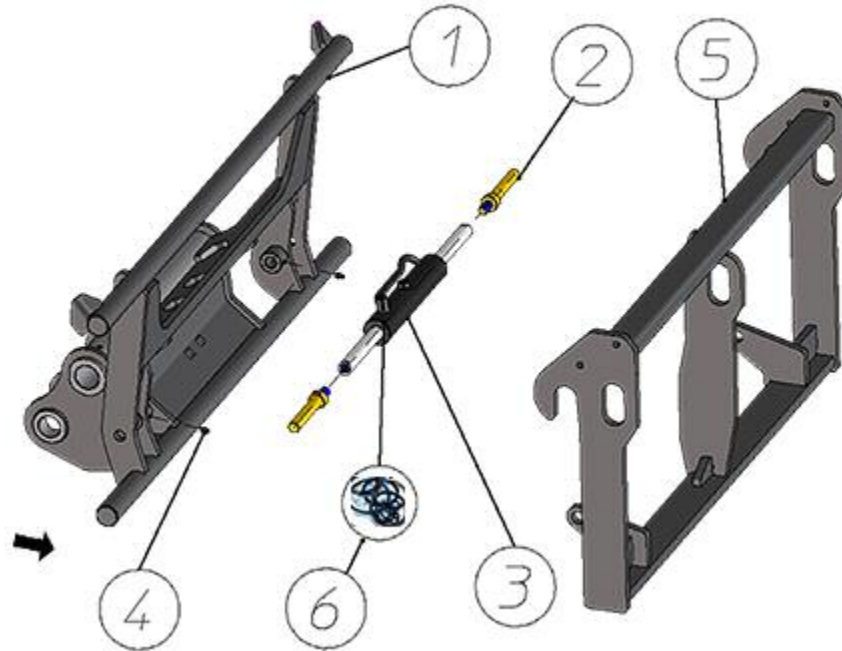


FIGURA	REFERENCIA	DENOMINACIÓN	CANTIDAD
001	35.09820.01	EURO8 PIVOTING POINT T144H	1
002	35.09871.00	AXLE CIL/ROS	2
003	35.09872.00	CILINDER D/E 25X40X65	1
004	901.08000.33	GREASER DIN71412-A M8x1,25	2
005	35.09840.01	T144 EURO8 CARRIAGE	1
006	35.09811.00	SEALING KIT CYLINDER	1

3521 86695 - XXXX XXXXX

13. ACCESSORIES / CONTINUOUS FLOW (1)

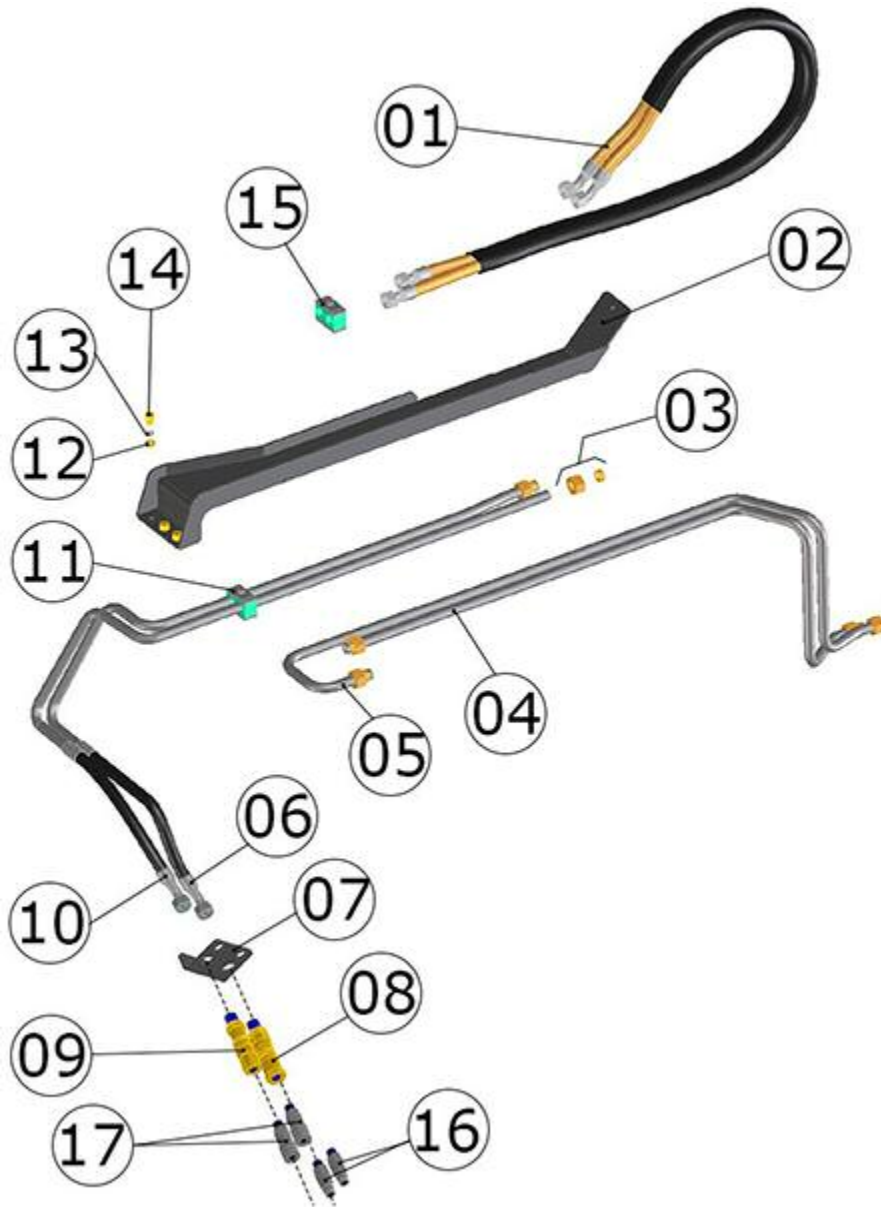


FIGURA	REFERENCIA	DENOMINACIÓN	CANTIDAD
001	35.10275.00	HOSE	1
002	35.09010.00	ATTACHMENT SUPPORT HOSE	1
003	33.10086.00	RIGID TUBE D22/D17 M30X2,5	6
004	35.10299.00	RIGID TUBE 18/22	1
005	35.10298.00	RIGID TUBE 18/22	1
006	35.10276.00	RIGID TUBE 18/22	1
007	35.13337.01	FASTENER SUPPORT 110X50X100	1
008	46.10142.00	FAST PLUG 1/2 GAS SCREWED	1
009	46.10900.00	ECOLOGICAL MALE CONECTOR M26	1

010	35.10277.00	RIGID TUBE 18/22	1
011	46.04298.00	HOSE CLAMP Ø22	6
012	101.10000.67	D10 WASHER DIN125	3
013	104.10000.00	WASHER DIN7980 D10	3
014	603.10015.86	SCREW DIN933	3
015	35.10281.00	HOSE CLAMP Ø25 DIN3015	2
016	46.10902.00	ECOLOGICAL CONNECTOR M18	2
017	46.10907.00	ECOLOGICAL CONNECTOR M18X1	2

3521 86695 - XXXX XXXXX

13. ACCESSORIES / CONTINUOUS FLOW (1)

BASTIDOR: 87264

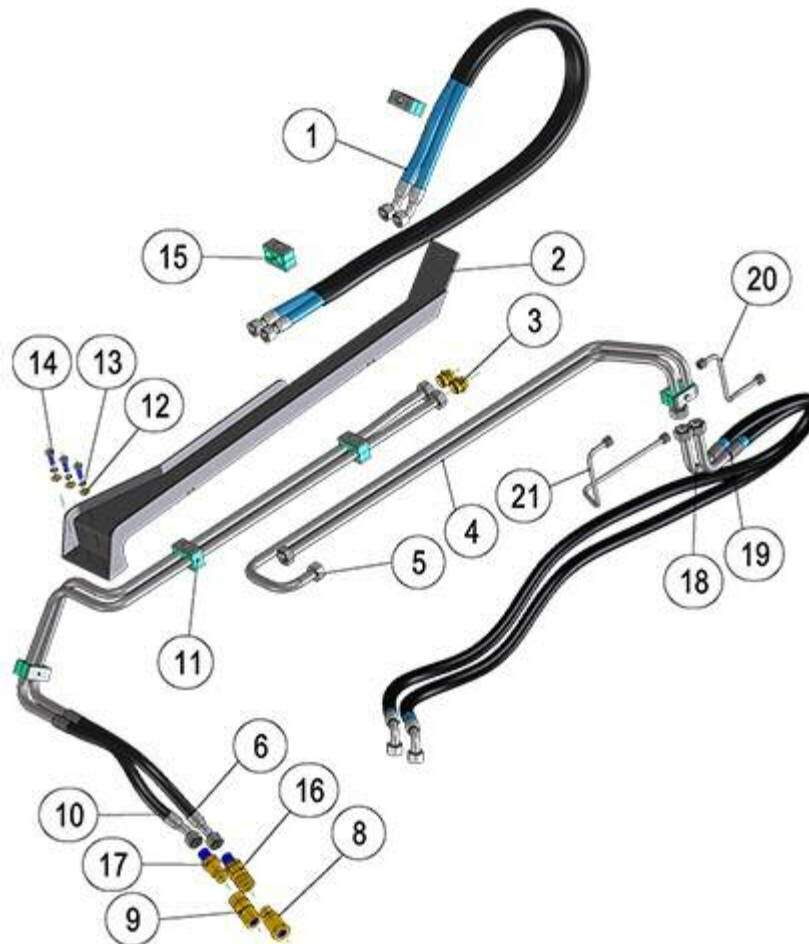


FIGURA	REFERENCIA	DENOMINACIÓN	CANTIDAD
001	35.10275.00	HOSE	1
002	35.09010.00	ATTACHMENT SUPPORT HOSE	1
003	46.58062.00	FITTING	4
004	35.10804.00		1
005	35.10805.00		1
006	35.10276.00	RIGID TUBE 18/22	1
007	35.13337.01	FASTENER SUPPORT 110X50X100	1
008	46.10142.00	FAST PLUG 1/2 GAS SCREWED	1
009	46.10143.00	FEMALE FAST PLUG 1/2 GAS	1
010	35.10277.00	RIGID TUBE 18/22	1
011	46.04298.00	HOSE CLAMP Ø22	6
012	101.10000.67	D10 WASHER DIN125	3
013	104.10000.00	WASHER DIN7980 D10	3

014	603.10015.86	SCREW DIN933	3
015	35.10281.00	HOSE CLAMP Ø25 DIN3015	2
016	46.10899.00	ECOLOGICAL FEMALE CONECTOR M26	1
017	46.10900.00	ECOLOGICAL MALE CONECTOR M26	1
018	35.10806.00		1
019	35.10807.00		1
020	35.10887.00		1
021	35.10888.00		1

3521 86695 - XXXX XXXXX

13. ACCESSORIES / CONTINUOUS FLOW (1)

BASTIDOR: 90143

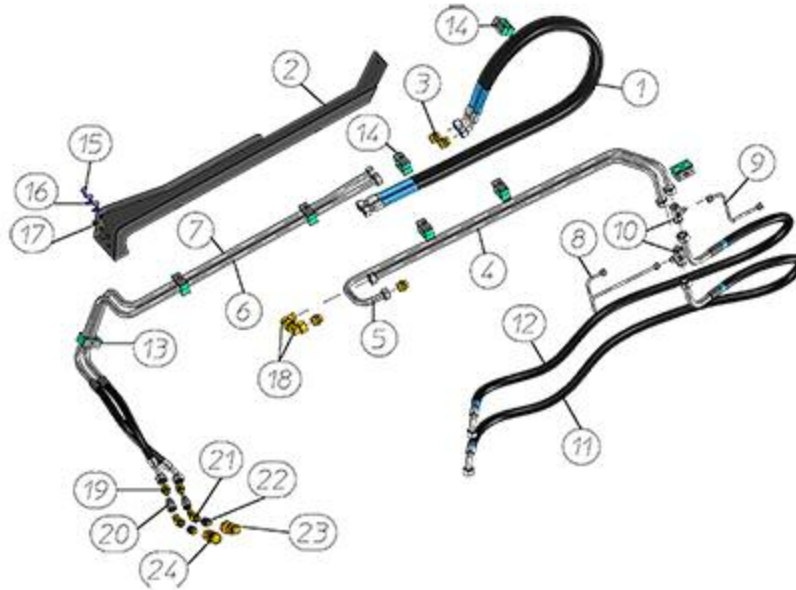


FIGURA	REFERENCIA	DENOMINACIÓN	CANTIDAD
001	35.10275.00	HOSE	2
002	35.09010.00	ATTACHMENT SUPPORT HOSE	2
003	46.58062.00	FITTING	4
004	35.10804.00		1
005	35.10805.00		1
006	35.10277.01	RIGID TUBE 18/22	1
007	35.10276.01	RIGID TUBE 18/22	1
008	35.10888.00		1
009	35.10887.00		1
010	35.10801.00		2
011	35.10806.00		1
012	35.10807.00		1
013	46.04298.00	HOSE CLAMP Ø22	6
014	35.10281.00	HOSE CLAMP Ø25 DIN3015	2
015	603.10030.86	SCREW DIN933	3
016	104.10000.00	WASHER DIN7980 D10	3
017	101.10000.67	D10 WASHER DIN125	3
018	46.58004.00	FITTING	2
019	46.58083.00	GASKET MET. BUNA	2
020	46.58211.00		2

021	48.10317.00	FITTING	2
022	46.10824.00	FITTING	2
023	46.10142.00	FAST PLUG 1/2 GAS SCREWED	1
024	46.10143.00	FEMALE FAST PLUG 1/2 GAS	1

3521 86695 - XXXX XXXXX

13. ACCESSORIES / CONTINUOUS FLOW (2)

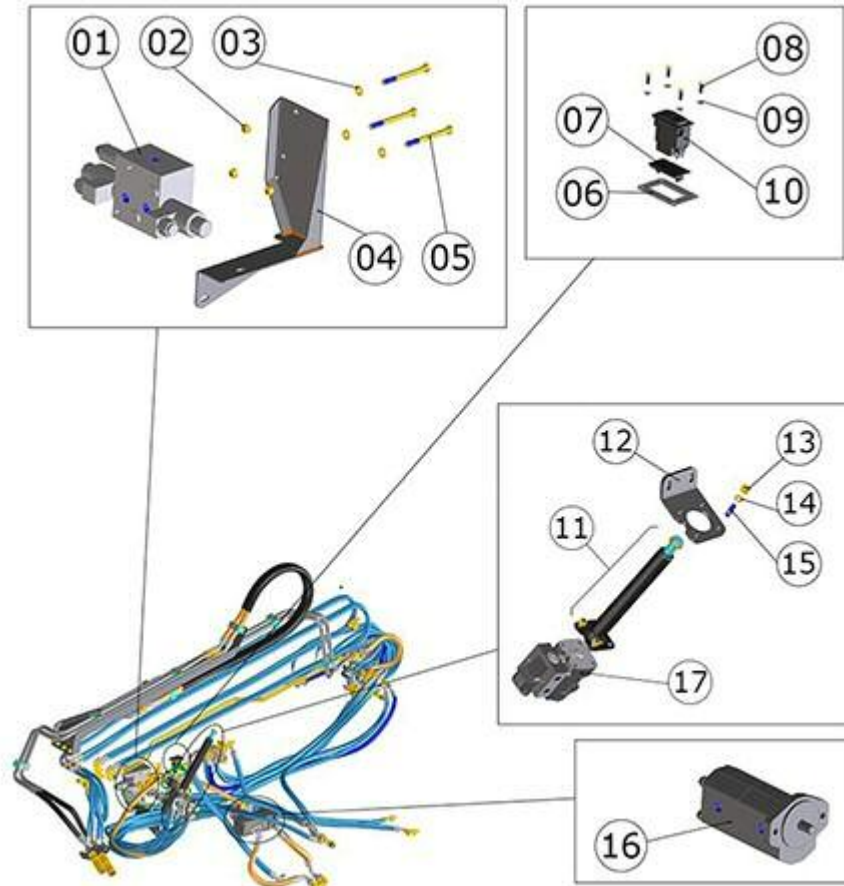


FIGURA	REFERENCIA	DENOMINACIÓN	CANTIDAD
001	46.10048.00	"CONTROL VALVE 1E 1/3\"", ELECT."	1
002	711.08000.66	NUT DIN982 M8	3
003	101.08000.66	WASHER DIN125 D8	3
004	35.10362.00	DISTRIBUTOR SUPPORT 232X297	1
005	604.08095.86	BOLT DIN931 M8x95	3
006	35.11175.00	BRACKET	1
007	12.11024.00	SWITCH CAP	1
008	635.03913.66	SCREW DIN 7981 ST3.9X13	4
009	104.04000.00	WASHER DIN7980 D4	4
010	32.11192.00	CONTINUOUS FLOW SWITCH	1
011	35.06010.00	STEERING COLUMN 38X300	1
012	35.06021.00	STEERING WHEEL SUPPORT 45X90X142	1
013	701.10000.66	NUT DIN934 M10x1.5	4
014	104.10000.00	WASHER DIN7980 D10	4
015	15.00435.01	STUD DIN938 33 M10x1.5	4
016	43.61522.00	HYDR. PUMP	1



017 35.06011.00 HIDROSTATIC DIRECT. 50cc

1

3521 86695 - XXXX XXXXX

13. ACCESSORIES / CONTINUOUS FLOW (2)

BASTIDOR: 87264

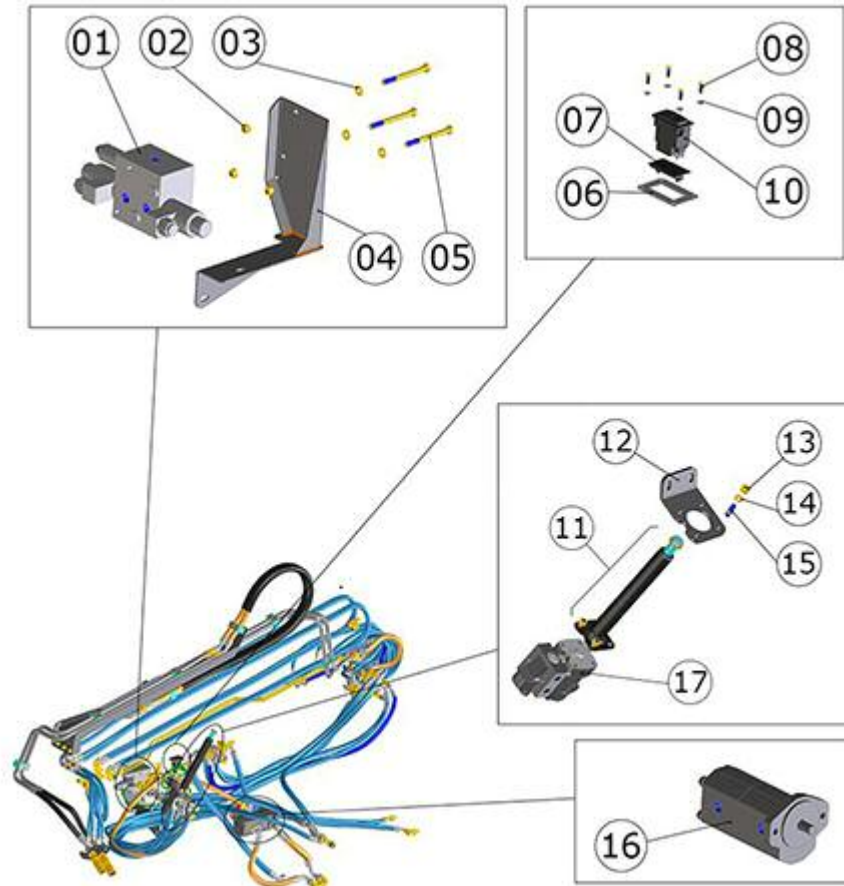


FIGURA	REFERENCIA	DENOMINACIÓN	CANTIDAD
001	46.10048.07	VALVE	1
002	711.08000.66	NUT DIN982 M8	3
003	101.08000.66	WASHER DIN125 D8	3
004	35.10362.00	DISTRIBUTOR SUPPORT 232X297	1
005	604.08095.86	BOLT DIN931 M8x95	3
006	35.11175.00	BRACKET	1
007	12.11024.00	SWITCH CAP	1
008	635.03913.66	SCREW DIN 7981 ST3.9X13	4
009	104.04000.00	WASHER DIN7980 D4	4
010	32.11192.00	CONTINUOUS FLOW SWITCH	1
011	35.06010.00	STEERING COLUMN 38X300	1
012	35.06022.00		1
013	701.10000.66	NUT DIN934 M10x1.5	4
014	104.10000.00	WASHER DIN7980 D10	4
015	15.00435.01	STUD DIN938 33 M10x1.5	4

016	43.61522.00	HYDR. PUMP	1
017	35.06011.00	HIDROSTATIC DIRECT. 50cc	1

3521 86695 - XXXX XXXXX

13. ACCESSORIES / CONTINUOUS FLOW (3)

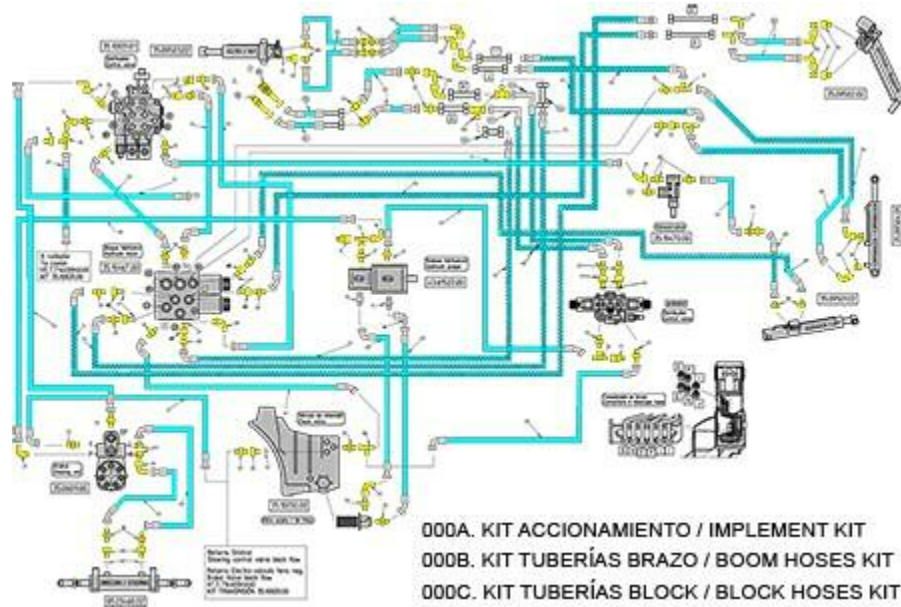


FIGURA	REFERENCIA	DENOMINACIÓN	CANTIDAD
000A	35.10890.00		1
000A.1	45.01423.00	GASKET	1
000A.10	48.10451.00	RACOR C90M/TL M18X1,5	1
000A.11	57.10343.00	FITTING	1
000A.12	70.10222.00	FITTING M/M M18x3/8BSP	1
000A.13	48.10433.00	FITTING	1
000A.14	70.10226.00	FITTING M/TL M16x2- M18x1,5	1
000A.15	08.00317.00	METALLIC GASKET BUNA D3/8	2
000A.16	46.10411.00	FITTING	1
000A.17	46.58083.00	GASKET MET. BUNA	1
000A.18	48.10439.00	FITTING	1
000A.19	70.10222.00	FITTING M/M M18x3/8BSP	4
000A.2	46.10839.00	FITTING	1
000A.20	70.10253.00	FITTING	1
000A.21	10.01353.00	NIPPLE M/H	2
000A.22	46.10824.00	FITTING	1
000A.23	48.10934.00	FITTING	2
000A.24	70.10222.00	FITTING M/M M18x3/8BSP	1
000A.27	48.10159.00	FITTING	1
000A.3	47.01476.00	FITTING M/M M30X2-M22X1,5	1
000A.35	48.10451.00	RACOR C90M/TL M18X1,5	1
000A.37	64.10308.00	ELBOW C90M/TL NIPPLE M18X1.5	1

000A.38	70.10238.00	NIPPLE M/M M18X1,5 - 1/4GAS	2
000A.4	12.10301.00	FITTING	1
000A.40	08.00317.00	METALLIC GASKET BUNA D3/8	2
000A.42	46.58083.00	GASKET MET. BUNA	2
000A.44	10.01353.00	NIPPLE M/H	2
000A.45	35.10892.00		1
000A.46	35.10891.00		1
000A.47	35.10893.00		1
000A.48	35.10894.00		1
000A.49	35.10209.01	HOSE	1
000A.5	70.10207.00	FITTING	2
000A.51	35.10895.00		1
000A.54	35.10896.00		1
000A.55	48.10433.00	FITTING	2

3521 86695 - XXXX XXXXX

13. ACCESSORIES / CONTINUOUS FLOW (3)

FIGURA	REFERENCIA	DENOMINACIÓN	CANTIDAD
000A.6	48.10223.00	FITTING	1
000A.62	35.10246.00	TUBE R1T5/8 TL-C90 M26X1,5 430	1
000A.63	35.10898.00		1
000A.7	70.10229.00	FITTING	1
000A.74	46.58113.00	RACOR FORT M/TL/M M18	1
000A.75	48.10433.00	FITTING	1
000A.76	48.10326.00	FITTING	1
000A.77	64.10227.00	FITTING	1
000A.78	35.10900.01		1
000A.8	70.10234.00	FITTING	1
000A.86	42.00508.00	NIPPLE M/H	2
000A.87	28.00341.00	METALLIC GASKET BUNA D1/4	2
000A.9	17.10109.00	RACOR M/TL M18X1.5-M26X1.5	1
000B	35.10880.00		1
000B.100	35.10801.00		2
000B.78	48.10109.00	FITTING	2
000B.79	48.10264.00	RACOR C90M/M -M16X1,5	4
000B.80	48.10934.00	FITTING	2
000B.81	70.10232.00	FITTING C90M/M M16-1.5x1/4BSP	2
000B.82	35.10275.00	HOSE	2

000B.83	35.10812.00	HOSE	1
000B.85	35.10814.00	TUBE	2
000B.86	32.10195.00	HOSE MATERIAL	1
000B.92	08.00317.00	METALLIC GASKET BUNA D3/8	1
000B.93	10.01353.00	NIPPLE M/H	1
000B.94	28.00338.00	NIPPLE M/H	2
000B.95	46.10410.00	FITTING	4
000B.96	46.58004.00	FITTING	2
000B.97	46.58062.00	FITTING	4
000C	35.10800.00	BLOCK ACTIVATION PIPING SET	1
000C.25	48.10122.00	FITTING M / MM M18x1.5 TL / TL M22	1
000C.26	48.10235.00	RACOR M/M -1/2"BSP / M22X1,5	1
000C.28	48.10442.00	"RACOR C90MO/M 3/8""BSP / M18X1"	1
000C.29	48.10836.00	RACOR M/M MB 3/8 BSP - MM M18L	2
000C.31	70.10223.00	FITTING M/M/TL M18x1,5	2
000C.32	70.10229.00	FITTING	1

3521 86695 - XXXX XXXXX

13. ACCESSORIES / CONTINUOUS FLOW (3)

FIGURA	REFERENCIA	DENOMINACIÓN	CANTIDAD
000C.33	70.10251.00	FITTING	1
000C.34	70.10255.00	FITTING	1
000C.35	48.10451.00	RACOR C90M/TL M18X1,5	2
000C.36	48.10934.00	FITTING	2
000C.40	28.00338.00	NIPPLE M/H	5
000C.41	48.10332.00	RACOR M/M 1/4 BSP - M18X1.5	5
000C.50	35.10856.01	HOSE	1
000C.51	35.10808.00	HOSE	1
000C.52	35.10858.01	HOSE	1
000C.53	35.10859.01	HOSE	1
000C.61	35.10867.01	HOSE	1
000C.64	35.10870.01	HOSE	1
000C.65	35.10871.01	HOSE	1
000C.66	35.10872.01	HOSE	1
000C.67	35.10873.01	HOSE	1
000C.68	35.10874.01	HOSE	1
000C.69	35.10875.01	HOSE	1
000C.70	35.10876.01	HOSE	1

000C.71	35.10877.01	HOSE	1
000C.72	35.10878.01	HOSE	1
000C.73	35.10879.01	HOSE	1
000C.74	35.10883.00	HOSE	1
000C.75	35.10884.00	HOSE	1
000C.81	48.10287.00	FITTING	1
000C.82	48.10836.00	RACOR M/M MB 3/8 BSP - MM M18L	3
000C.90	32.10078.00	RACOR C90MO/M 1/2"G-M22X1,5	2
084	35.10276.00	RIGID TUBE 18/22	1
088	46.10900.00	ECOLOGICAL MALE CONECTOR M26	1
089	46.10899.00	ECOLOGICAL FEMALE CONECTOR M26	1
090	35.10277.00	RIGID TUBE 18/22	1
091	35.10335.00	DOUBLE PIPE R8 5/16 C90-TL M16	2
101	35.10887.00		1
102	35.10807.00		1
103	35.10806.00		1
104	35.10888.00		1

3521 86695 - XXXX XXXXX

13. ACCESSORIES / CONTINUOUS FLOW (3)

BASTIDOR: 89098

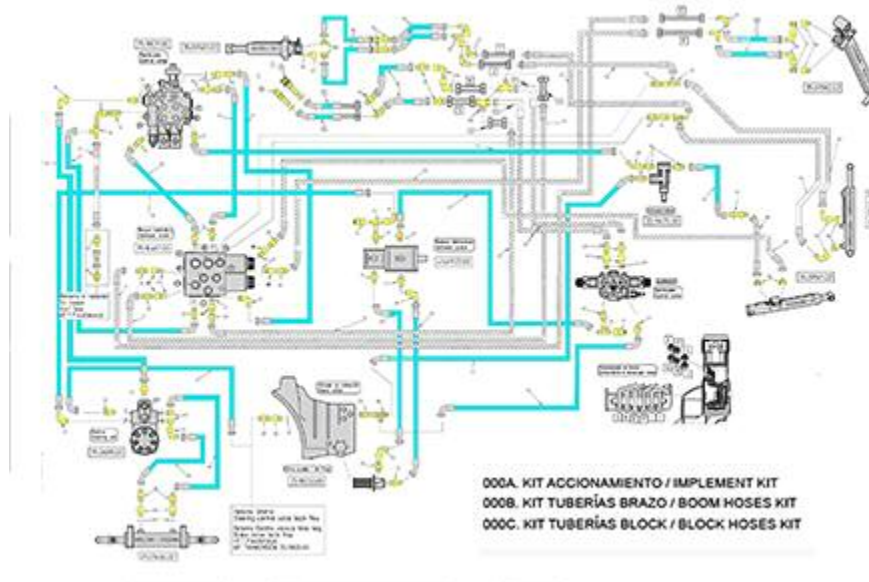


FIGURA	REFERENCIA	DENOMINACIÓN	CANTIDAD
000A	35.10890.00		1
000A.1	45.01423.00	GASKET	1
000A.10	48.10451.00	RACOR C90M/TL M18X1,5	1
000A.11	57.10343.00	FITTING	1
000A.12	70.10222.00	FITTING M/M M18x3/8BSP	1
000A.13	48.10433.00	FITTING	1
000A.14	70.10226.00	FITTING M/TL M16x2- M18x1,5	1
000A.15	08.00317.00	METALLIC GASKET BUNA D3/8	2
000A.16	46.10411.00	FITTING	1
000A.17	46.58083.00	GASKET MET. BUNA	1
000A.18	48.10439.00	FITTING	1
000A.19	70.10222.00	FITTING M/M M18x3/8BSP	4
000A.2	46.10839.00	FITTING	1
000A.20	70.10253.00	FITTING	1
000A.21	10.01353.00	NIPPLE M/H	2
000A.22	46.10824.00	FITTING	1
000A.23	48.10934.00	FITTING	2
000A.24	70.10222.00	FITTING M/M M18x3/8BSP	1
000A.27	48.10159.00	FITTING	1
000A.3	47.01476.00	FITTING M/M M30X2-M22X1,5	1
000A.35	48.10451.00	RACOR C90M/TL M18X1,5	1

000A.37	64.10308.00	ELBOW C90M/TL NIPPLE M18X1.5	1
000A.38	70.10238.00	NIPPLE M/M M18X1,5 - 1/4GAS	2
000A.4	12.10301.00	FITTING	1
000A.40	08.00317.00	METALLIC GASKET BUNA D3/8	2
000A.42	46.58083.00	GASKET MET. BUNA	2
000A.44	10.01353.00	NIPPLE M/H	2
000A.45	35.10892.00		1
000A.46	35.10891.00		1
000A.47	35.10893.00		1
000A.48	35.10894.00		1
000A.49	35.10209.01	HOSE	1
000A.5	70.10207.00	FITTING	2
000A.51	35.10895.00		1
000A.54	35.10896.00		1
000A.55	48.10433.00	FITTING	2

3521 86695 - XXXX XXXXX

13. ACCESSORIES / CONTINUOUS FLOW (3)

BASTIDOR: 89098

FIGURA	REFERENCIA	DENOMINACIÓN	CANTIDAD
000A.6	48.10223.00	FITTING	1
000A.62	35.10246.00	TUBE R1T5/8 TL-C90 M26X1,5 430	1
000A.63	35.10898.00		1
000A.7	70.10229.00	FITTING	1
000A.74	46.58113.00	RACOR FORT M/TL/M M18	1
000A.75	48.10433.00	FITTING	1
000A.76	48.10326.00	FITTING	1
000A.77	64.10227.00	FITTING	1
000A.78	35.10900.01		1
000A.8	70.10234.00	FITTING	1
000A.86	42.00508.00	NIPPLE M/H	2
000A.87	28.00341.00	METALLIC GASKET BUNA D1/4	2
000A.9	17.10109.00	RACOR M/TL M18X1.5-M26X1.5	1
000B	35.10880.00		1
000B.100	35.10801.00		2
000B.78	48.10109.00	FITTING	2
000B.79	48.10264.00	RACOR C90M/M -M16X1,5	4
000B.80	48.10934.00	FITTING	2
000B.81	70.10232.00	FITTING C90M/M M16-1.5x1/4BSP	2

000B.82	35.10275.00	HOSE	2
000B.83	35.10812.00	HOSE	1
000B.85	35.10814.00	TUBE	2
000B.86	32.10195.00	HOSE MATERIAL	1
000B.92	08.00317.00	METALLIC GASKET BUNA D3/8	1
000B.93	10.01353.00	NIPPLE M/H	1
000B.94	28.00338.00	NIPPLE M/H	2
000B.95	46.10410.00	FITTING	4
000B.96	46.58004.00	FITTING	2
000B.97	46.58062.00	FITTING	4
000C	35.10800.01	ACTIVATION PIPING SET	1
000C.25	48.10122.00	FITTING M / MM M18x1.5 TL / TL M22	1
000C.26	48.10235.00	RACOR M/M -1/2"BSP / M22X1,5	1
000C.28	48.10442.00	"RACOR C90MO/M 3/8""BSP / M18X1"	1
000C.29	48.10836.00	RACOR M/M MB 3/8 BSP - MM M18L	2
000C.31	70.10223.00	FITTING M/M/TL M18x1,5	2
000C.32	70.10229.00	FITTING	1

3521 86695 - XXXX XXXXX

13. ACCESSORIES / CONTINUOUS FLOW (3)

BASTIDOR: 89098

FIGURA	REFERENCIA	DENOMINACIÓN	CANTIDAD
000C.33	70.10251.00	FITTING	1
000C.34	70.10255.00	FITTING	1
000C.35	48.10451.00	RACOR C90M/TL M18X1,5	2
000C.36	48.10934.00	FITTING	2
000C.40	28.00338.00	NIPPLE M/H	5
000C.41	48.10332.00	RACOR M/M 1/4 BSP - M18X1.5	5
000C.50	35.10856.01	HOSE	1
000C.51	35.10808.00	HOSE	1
000C.52	35.10858.01	HOSE	1
000C.53	35.10859.01	HOSE	1
000C.61	35.10867.01	HOSE	1
000C.64	35.10870.01	HOSE	1
000C.65	35.10871.01	HOSE	1
000C.66	35.10872.01	HOSE	1
000C.67	35.10873.01	HOSE	1
000C.68	35.10874.01	HOSE	1
000C.69	35.10875.01	HOSE	1

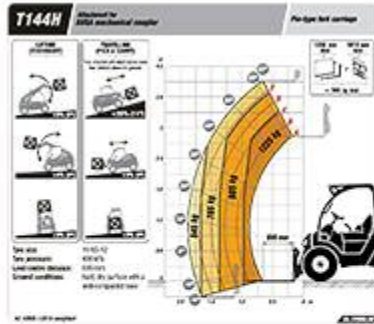
000C.70	35.10876.01	HOSE	1
000C.71	35.10877.01	HOSE	1
000C.72	35.10878.01	HOSE	1
000C.73	35.10879.01	HOSE	1
000C.74	35.10883.00	HOSE	1
000C.75	35.10884.00	HOSE	1
000C.81	48.10287.00	FITTING	1
000C.82	48.10836.00	RACOR M/M MB 3/8 BSP - MM M18L	3
000C.90	32.10078.00	RACOR C90MO/M 1/2"G-M22X1,5	2
084	35.10276.00	RIGID TUBE 18/22	1
088	46.10900.00	ECOLOGICAL MALE CONECTOR M26	1
089	46.10899.00	ECOLOGICAL FEMALE CONECTOR M26	1
090	35.10277.00	RIGID TUBE 18/22	1
091	35.10335.00	DOUBLE PIPE R8 5/16 C90-TL M16	2
101	35.10887.00		1
102	35.10807.00		1
103	35.10806.00		1
104	35.10888.00		1

OBSERVACIONES

PM.00092

3521 86695 - XXXX XXXXX
AUSTRALIEN FINISH

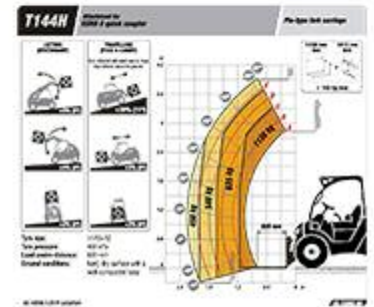
1



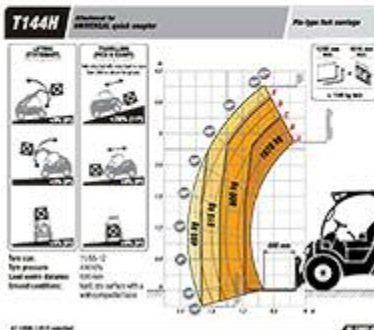
2



3



4



5



FIGURA	REFERENCIA	DENOMINACIÓN	CANTIDAD
001	35.12600.00	SAFETY DECAL	1
002	12.12003.00	PLATE 50X230	1
003	35.12602.00	SAFETY DECAL	1
004	35.12601.00	SAFETY DECAL	1
005	32.12015.00	INDICATIVE 40x100 ADHESIVE PLATE AUSTRALIA	1

INDEX

3521 86695 - XXXX XXXXX

00. MAINTENANCE / FILTERS SET	2
02. ENGINE	3
02. ENGINE / EXHAUST	4
02. ENGINE / ADMISSION	5
02. ENGINE / AIR FILTER	6
02. ENGINE / RADIATOR	7
02. ENGINE / SUPPORTS	8
03. TRANSMISSION / HYDROSTATIC	9
03. TRANSMISSION / FRONT AXLE	10

03. TRANSMISSION

Housings and axles - 86629	12
----------------------------	----

3521 86695 - XXXX XXXXX

03. TRANSMISSION / REAR AXLE	13
03. TRANSMISSION / REAR AXLE - 86629	14
04. CHASSIS / CHASSIS	15
05. BRAKE ACTIVATION / FOOTBRAKE	16
05. BRAKE ACTIVATION / FOOTBRAKE - 91230	17
06. STEERING	18
06. STEERING - 87124	19
07. WHEELS / STANDARD	20
08. BODYWORK / SHEETS	21
08. BODYWORK / JOYSTICK LEVER	22
08. BODYWORK / CABIN	23
08. BODYWORK / ENGINE HOOD	25
08. BODYWORK / ENGINE COVER	26
08. BODYWORK / ENGINE COVER - 88664	27
08. BODYWORK / SEAT	28
08. BODYWORK / SIDE COVER	29
08. BODYWORK / COUNTERWEIGHT	30
08. BODYWORK / COUNTERWEIGHT - 88116	31
09. TELESCOPIC ARM / CYLINDERS	32
09. TELESCOPIC ARM / STRUCTURE (01)	33
09. TELESCOPIC ARM / STRUCTURE (02)	35

09. TELESCOPIC ARM / PIPES	36
09. TELESCOPIC ARM / MANUAL HITCH AUSA	37
09. TELESCOPIC ARM / FORKS	38
09. TELESCOPIC ARM / ARM SUPPORT	39
10. HYDRAULIC INSTALLATION / CONTROL VALVE	40
10. HYDRAULIC INSTALLATION / CONTROL VALVE - 89329	41
10. HYDRAULIC INSTALLATION / CONTROL VALVE - 90426	42
10. HYDRAULIC INSTALLATION / VALVES	43
10. HYDRAULIC INSTALLATION / HYDRAULIC TANK	44
10. HYDRAULIC INSTALLATION / OIL FILTER	45
10. HYDRAULIC INSTALLATION / SERVICE DIAGRAM	46
10. HYDRAULIC INSTALLATION / SERVICE DIAGRAM - 89098	49
10. HYDRAULIC INSTALLATION / TRANSMISSION DIAGRAM	52
10. HYDRAULIC INSTALLATION / TRANSMISSION DIAGRAM - 89098	55
11. ELECTRIC INSTALLATION / FLASHING BEACON	58
11. ELECTRIC INSTALLATION / FLASHING BEACON - 88911	59
11. ELECTRIC INSTALLATION / BUZZERS	60
11. ELECTRIC INSTALLATION / ARM BLOCKING SWITCH	61
11. ELECTRIC INSTALLATION / LOAD CELL	62
11. ELECTRIC INSTALLATION / DASHBOARD	63
11. ELECTRIC INSTALLATION / ARM POSITION SENSOR	64
11. ELECTRIC INSTALLATION / BATTERY	65
11. ELECTRIC INSTALLATION / OVERLOAD SYSTEM	66
11. ELECTRIC INSTALLATION / OVERLOAD SYSTEM - 89418	67
11. ELEKTROINSTALLATION / WIRING HARNESS (1)	68
11. ELEKTROINSTALLATION / WIRING HARNESS (2)	69
11. ELEKTROINSTALLATION / WIRING HARNESS (3)	70
12. FINISHES / STICKERS & PLATES (PART 1)	71
12. FINISHES / STICKERS & PLATES (PART 1) - 88044	72
12. FINISHES / STICKERS & PLATES (PART 1) - 88620	73
12. FINISHES / STICKERS & PLATES (PART 2)	74
12. FINISHES / TOOLS BAG	75
13. ACCESORIES / CLOSED CABIN (1)	76
13. ACCESORIES / CLOSED CABIN (2)	78
13. ACCESORIES / CLOSED CABIN (2) - 87804	79
13. ACCESORIES / CLOSED CABIN (3)	80
13. ACCESORIES / RIGHT REAR-VIEW MIRROR	81
13. ACCESORIES / BUCKET UNIVERSAL HITCH	82
13. ACCESORIES / BUCKET UNIVERSAL HITCH - 90914	83

13. ACCESORIES / BALL HITCH	84
13. ACCESORIES / WORKLIGHTS	85
13. ACCESORIES / SOLID TYRES	86
13. ACCESORIES / FLOATING TYRES	87
13. ACCESORIES / NON-MARKING TYRES	88
13. ACCESORIES / CONSTRUCTION SOLID TYRES	89
13. ACCESORIES / NON-MARKING TYRES FOAM	90
13. ACCESORIES / UNIVERSAL HITCH & 5TH VALVE (1)	91
13. ACCESORIES / UNIVERSAL HITCH & 5TH VALVE (2)	92
13. ACCESORIES / UNIVERSAL HITCH & 5TH VALVE (3)	93
13. ACCESORIES / AUSA HITCH BUCKET	94
13. ACCESORIES / LOAD PROTECTOR	95
13. ACCESORIES / FRONT WINDHSHIELD PROTECTOR	96
14. OPTION / FORKS 1200MM	97
13. ACCESORIES / BUCKET 4 IN 1	98
13. EURO 8 HITCH	
HITCH + FORK CARRIAGE - 86695	99
3521 86695 - XXXX XXXXX	
13. ACCESSORIES / CONTINUOUS FLOW (1)	100
13. ACCESSORIES / CONTINUOUS FLOW (1) - 87264	101
13. ACCESSORIES / CONTINUOUS FLOW (1) - 90143	102
13. ACCESSORIES / CONTINUOUS FLOW (2)	103
13. ACCESSORIES / CONTINUOUS FLOW (2) - 87264	104
13. ACCESSORIES / CONTINUOUS FLOW (3)	105
13. ACCESSORIES / CONTINUOUS FLOW (3) - 89098	108
AUSTRALIEN FINISH	111